



DISCOVER VALVE

A DIVISION OF DISCOVER TRADING COMPANY INC.

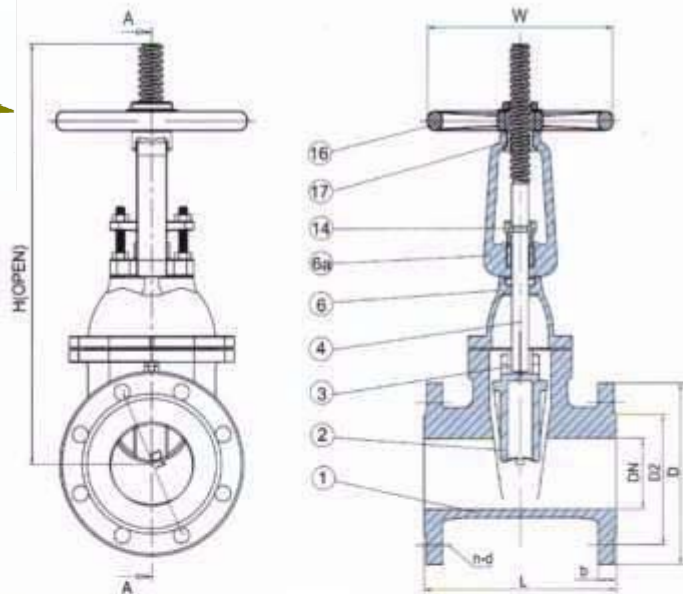
10746 NORTH ARMSTRONG AVENUE, CLOVIS, CALIFORNIA 93619 – PHONE TOLL-FREE 866-9VALVE6

FAX: 559-324-0266 EMAIL: info@discovervalve.com, HTTP://www.discovervalve.com

RESILENT SEATED GATE VALVE

SPECIAL ORDER
-click here-
TO SEND INQUIRY

AWWA/ANSI 250Psi Rising Stem Resilient Seated Gate Valve



MATERIAL SPECIFICATION

Item	Part Name	Material	Item	Part Name	Material
1	Body	ASTM A536 65-45-12	6	Bonnet	ASTM A536 65-45-12
2	Wedge	DI+EPDM	6a	Yoke	ASTM A536 65-45-12
		DI+NBR	14	Gland Flange	ASTM A536 65-45-12
4	Stem	AISI 420	17	Stem Nut	Brass
5	Bonnet Gasket	EPDM/ NBR			

DIMENSIONS(mm)

Size	L	D	D1	D2	b	n-d	H(open)	W	W.T(kg)
1 1/2"	165	150	98.5	73	19	4-16	365	180	16
2"	178	165	120.7	92	19	4-19	385	180	18
2 1/2"	191	185	139.7	105	19	4-19	415	180	21
3"	203	200	152.4	127	19	4-19	518	205	30
4"	229	229	190.5	157	19	8-19	570	240	35
5"	254	250	215.9	186	19	8-22	745	240	48
6"	267	285	241.3	216	19	8-22	790	280	60
8"	292	340	296.5	270	20	8-22	990	320	85
10"	330	405	362	324	22	12-25	1175	360	139
12"	356	483	431.8	381	24.5	12-25	1390	450	194

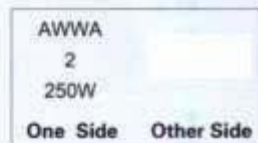
Features

- OutSide stem and yoke (OS&Y)
- Bolt bonnet
- Low torque operation
- Rubber encapsulated wedge
- Clockwise closing direction
- Fusion bonded epoxy coated inside and outside
- Product color: Blue RAL 5017
- Maximum temperature 80°C

Technical Specification

- Design: AWWA C515/ C509
- Face to Face : ANSI B 16.10
- Flanges: ASME B 16.42
- Hydraulic test to AWWA C509
- Seat Test Pressure: 250 Psi
- Shell Test Pressure: 500 Psi
- Operating torque test

Artwork on valve body:



DTC reserves the right to modify specifications and/or design parameters without notice.
Updated drawings will be provided with quotation requests if required.