



DISCOVER VALVE

A DIVISION OF DISCOVER TRADING COMPANY INC.

10746 NORTH ARMSTRONG AVENUE, CLOVIS, CALIFORNIA 93619 – PHONE TOLL-FREE 866-9VALVE6

FAX: 559-324-0266 EMAIL: info@discovervalve.com, HTTP://www.discovervalve.com

METAL SEATED GATE VALVE



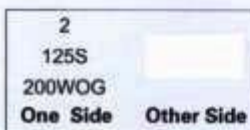
Features

- Bolt bonnet
- Solid wedge
- Graphite packing
- Outside screw and yoke
- Clockwise closing direction
- Seat rings are pressed into wedge and body
- Product color: Blue RAL 5017
- Maximum temperature 150°C

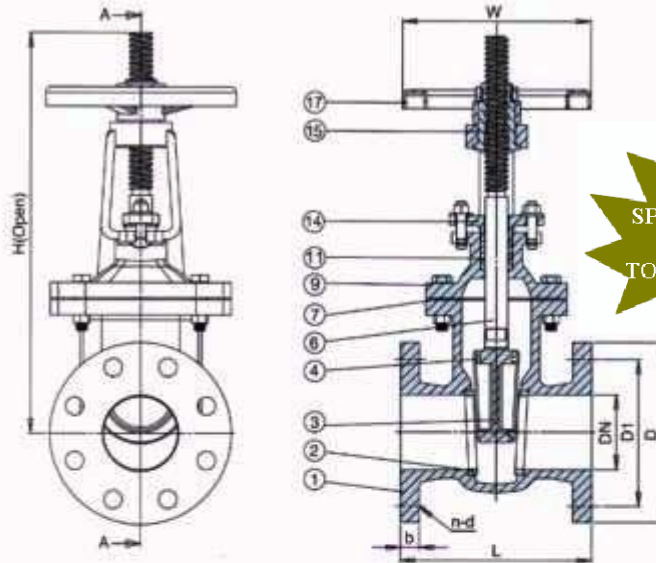
Technical Specification

- Design: MSS SP-70
- Face to Face : ANSI B16.10
- Flanges: ANSI B16.1
- Hydraulic test to MSS SP-70
Seat Test Pressure: 220 Psi
Shell Test Pressure: 350 Psi

Artwork on valve body:



ANSI 125/150 Rising Stem Metal Seated Solid Wedge Gate Valve



SPECIAL ORDER
-click here-
TO SEND INQUIRY

▲ MATERIAL SPECIFICATION

Item	Part Name	Material	Item	Part Name	Material
1	Body	ASTM A126B	7	Bonnet Gasket	Graphite
2	Seat Ring	Bronze B62/ Brass	9	Bonnet	ASTM A126B
3	Wedge	ASTM A126B	11	Packing	Graphite
4	Wedge Ring	Bronze B62/ Brass	14	Gland Follower	ASTM A536 65-45-12
6	Stem	AISI 420	15	Stem Nut	Brass

▲ DIMENSIONS(mm)

Size	L	D	D1	b	n-d	H(open)	W	W.T(kg)
1 1/2"	165.1	127	98.6	14.2	4-16	320	180	13.6
2"	177.8	152	120.7	15.8	4-19	330	180	17.0
2 1/2"	190.5	178	139.7	17.5	4-19	385	180	18.0
3"	203.2	191	152.4	19	4-19	420	200	24.8
4"	228.6	229	190.5	23.9	8-19	500	200	34.6
5"	254.0	254	215.9	23.9	8-22	660	250	50.4
6"	266.7	279	241.3	25.4	8-22	740	280	63.0
8"	292.1	343	298.5	28.5	8-22	930	300	92.0
10"	330.2	406	362	30.2	12-25	1130	360	149.0
12"	355.6	483	431.8	31.8	12-25	1330	400	197.5
14"	381.0	533	476.3	35	12-29	1533	450	261.5
16"	406.4	597	539.8	36.6	16-29	1905	450	441.0
18"	431.8	635	577.9	39.6	16-32	2072	640	509.3

DTC reserves the right to modify specifications and/or design parameters without notice.
Updated drawings will be provided with quotation requests if required.