



# DISCOVER VALVE

A DIVISION OF DISCOVER TRADING COMPANY INC.

10746 NORTH ARMSTRONG AVENUE, CLOVIS, CALIFORNIA 93619 – PHONE TOLL-FREE 866-9VALVE6  
 FAX: 559-324-0266 EMAIL: info@discovervalve.com, HTTP://www.discovervalve.com

## GATE VALVE



### Features

- Solid wedge
- Back seating design
- Outside screw and yoke
- Stem nut assembled downward
- Gland flange has two-piece construction
- Clockwise closing direction
- Seat rings are pressed into wedge and body
- Product color: Blue RAL 5017
- Maximum temperature 178 °C

### Technical Specification

- Design: MSS SP-70
- Face to Face : ANSI B16.10
- Flanges: ANSI B16.1
- Hydraulic test to MSS SP-70  
 Seat Test Pressure: 220 Psi  
 Shell Test Pressure: 350 Psi

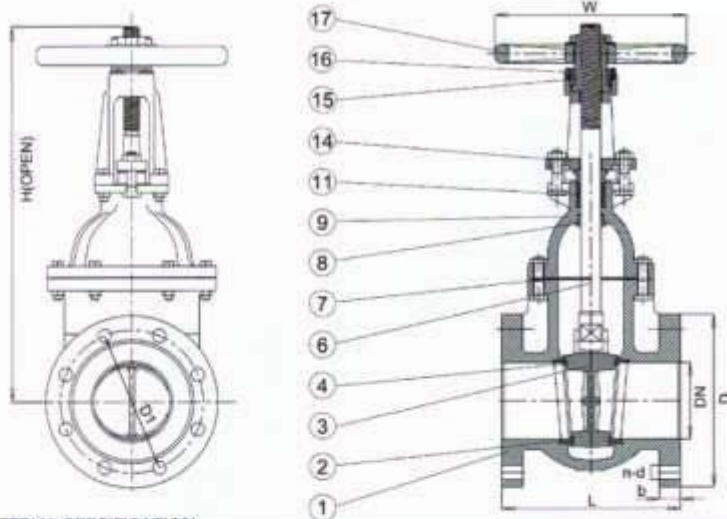
### Optional Extras:

- Gear Box
- By-Pass Valve

### Artwork on valve body:



### ANSI 125/150 Rising Stem Solid Wedge Gate Valve Type B



### ▲ MATERIAL SPECIFICATION

Item	Part Name	Material	Item	Part Name	Material
1	Body	ASTM A126B	9	Back Seat	Bronze
2	Seat Ring	Bronze B62/ Brass	12	Packing	Graphite
4	Wedge Ring	Bronze B62/ Brass	14	Gland Follower	ASTM A536 65-45-12
6	Stem	AISI 420	15	Stem Nut	Brass
7	Bonnet Gasket	Graphite	16	Retaining Nut	ASTM A126B

### ▲ DIMENSIONS (mm)

Size	L	D	D1	b	n-d	H(open)	W	WT(kg)
1 1/2"	165.1	127	98.6	14.2	4-16	400	178	18.0
2"	177.8	152	120.7	15.8	4-19	405	178	22.0
2 1/2"	190.5	178	139.7	17.5	4-19	415	178	24.1
3"	203.2	191	152.4	19	4-19	486	190	29.5
4"	228.6	229	190.5	23.9	8-19	632	250	53.2
5"	254.0	254	215.9	23.9	8-22	710	300	80.0
6"	266.7	279	241.3	25.4	8-22	842	300	95.8
8"	292.1	343	298.5	28.5	8-22	1100	356	140.0
10"	330.2	406	362	30.2	12-25	1228	400	251.0
12"	355.6	483	431.8	31.8	12-25	1373	457	365.0
14"	381.0	533	476.3	35	12-29	1595	508	450.0
16"	406.4	597	539.8	36.6	16-29	1900	558	696.0
18"	431.8	635	577.9	39.6	16-32	2210	610	950.0
20"	457.2	699	635	42.9	20-32	2600	610	1089.0
24"	508.0	813	749.3	47.8	20-35	3040	762	1520.0
30"	609.6	984	914.4	53.9	28-35	3400	900	2936.0
36"	711.2	1168	1086	60.5	32-41	3950	900	3600.0

DTC reserves the right to modify specifications and/or design parameters without notice.  
 Updated drawings will be provided with quotation requests if required.