



DISCOVER VALVE

A DIVISION OF DISCOVER TRADING COMPANY INC.

10746 NORTH ARMSTRONG AVENUE, CLOVIS, CALIFORNIA 93619 – PHONE TOLL-FREE 866-9VALVE6

FAX: 559-324-0266 EMAIL: info@discovervalve.com, HTTP://www.discovervalve.com

CHECK VALVE

SPECIAL ORDER
-click here-
TO SEND INQUIRY



Features

- Full port
- Bolted Cover
- Suitable for both horizontal and vertical installation
- Product color: Blue RAL 5017

Options

- External lever arm and weight
- FBE Coated Inside and outside

Technical Specification

- Design: MSS SP-71
- Face to Face : ANSI B16.10
- Flanges:ANSI B16.1
- Hydraulic test to MSS SP-71
Seat Test Pressure: 220 Psi
Shell Test Pressure: 350 Psi

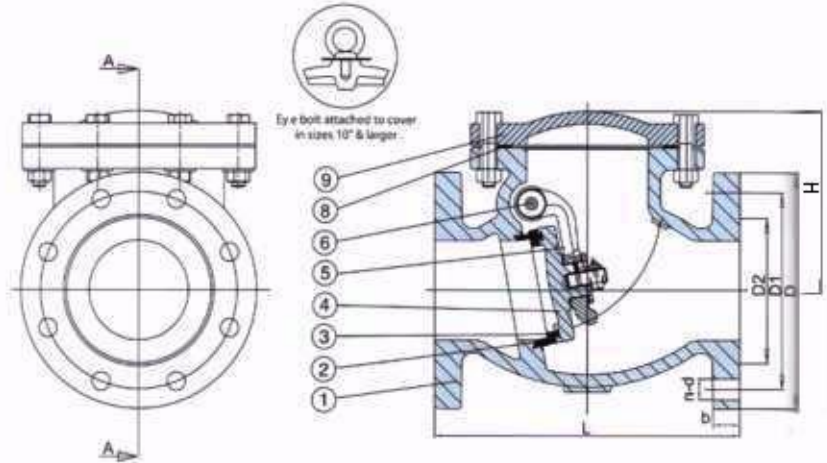
Artwork on valve body:

2
125S
200WOG

→

One Side **Other Side**

Class 125 Swing Check Valve



▲ MATERIAL SPECIFICATION

Item	Part Name	Material	Item	Part Name	Material
1	Body	ASTM A126B	4	Disc	ASTM A126B
2	Seat Ring	Bronze Brass	5	Hanger	ASTM A536 65-45-12
3	Disc Ring	Brass /Bronze EPDM /NBR	6	Hanger Pin	Stainless Steel
			8	Cover Gasket	Graphite With Soft Steel
			9	Cover	ASTM A126B

▲ DIMENSIONS (mm)

Size	L	D	D1	b	n-d1	H	W.T (kg)
1 1/2"	165.1	127	98.6	14.2	4-16	110	10.5
2"	203.2	152	120.7	15.8	4-19	130	12.5
2 1/2"	215.9	178	139.7	17.5	4-19	140	17.3
3"	241.3	191	152.4	19	4-19	150	24.5
4"	292.1	229	190.5	23.9	8-19	180	37.5
5"	330.2	254	215.9	23.9	8-22	190	41
6"	355.6	279	241.3	25.4	8-22	210	46.2
8"	495.3	343	298.5	28.5	8-22	250	120
10"	622.3	406	362	30.2	12-25	310	198
12"	698.5	483	431.8	31.8	12-25	340	282
14"	787.4	533	476.3	35	12-29	450	350
16"	914.4	597	539.8	36.6	16-29	520	430
18"	914	635	577.9	39.6	16-32	550	638
20"	1016	699	635	42.9	20-32	590	705
24"	1219	813	749.3	47.8	20-35	680	900

DTC reserves the right to modify specifications and/or design parameters without notice.
Updated drawings will be provided with quotation requests if required.