



# DISCOVER VALVE

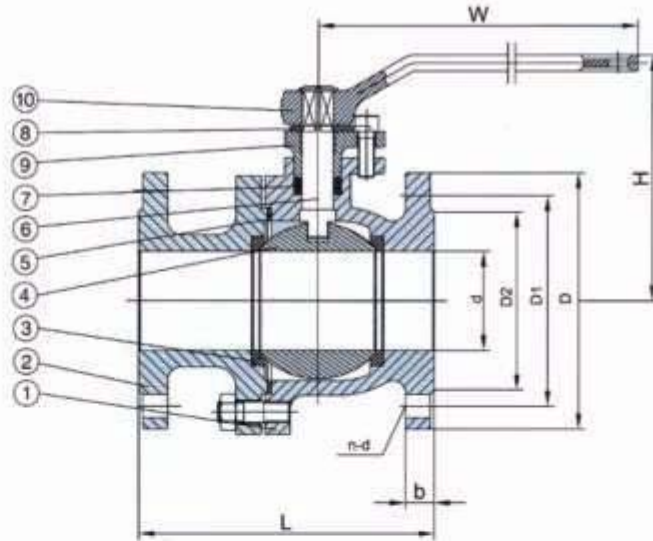
A DIVISION OF DISCOVER TRADING COMPANY INC.

10746 NORTH ARMSTRONG AVENUE, CLOVIS, CALIFORNIA 93619 – PHONE TOLL-FREE 866-9VALVE6  
 FAX: 559-324-0266 EMAIL: info@discovervalve.com, HTTP://www.discovervalve.com

## BALL VALVE

**SPECIAL ORDER**  
 -click here-  
 TO SEND INQUIRY

### MSS/ANSI Full Bore Cast Iron Ball Valve



#### Features

- Full port
- Low torque operation
- Blow-Out Proof Stem
- Stainless steel ball and stem
- Lockable in full open or closed positions
- Product color: Blue RAL 5017
- Maximum temperature 178°C

#### Technical Specification

- Technical Specification
- Design: MSS SP-72
- Face to Face : ANSI B16.10
- Flanges: ANSI B16.1
- Hydraulic test to API 598  
 Seat Test Pressure: 220 Psi  
 Shell Test Pressure: 350 Psi

#### Options

- ISO Top Flanged
- FBE Coated Inside and outside
- RPTFE-15% Glass Filled Seated

#### Artwork on valve body:

2	
125S	
200W	
<b>One Side</b>	<b>Other Side</b>

#### ▲ MATERIAL SPECIFICATION

Item	Part Name	Material	Item	Part Name	Material
1	Body	A126B / A536 65-45-12	6	Stem	SS AISI 410
2	Bonnet	A126B / A536 65-45-12	7	Stem Packing	PTFE
3	Ball	AISI 410 / AISI 304	8	Stop collar	Carbon steel
4	Seat	PTFE / RPTFE	9	Gland flange	A126B / A536 65-45-12
5	Gasket	PTFE	10	Lever	A536 65-45-12

#### ▲ DIMENTIONS (mm)

Size	d	L	D	D1	D2	b	n-d	H	W	W.T(kg)
1/2"	15	108	89	60.5	35	9.7	4-16	78	130	2.5
3/4"	20	117	98.6	70	43	10.5	4-16	113	160	3.2
1"	25	127	108	79.5	51	11.2	4-16	107	160	3.9
1 1/4"	32	140	117	89	63.5	12.7	4-16	113	160	5.1
1 1/2"	40	165	127	98.5	73.5	14.2	4-16	130	250	8
2"	50	178	152	120.5	92	15.9	4-19	146	250	10
2 1/2"	65	191	178	139.5	104.7	17.5	4-19	176	350	15
3"	80	203	191	152.5	127	19.1	4-19	222	350	19
4"	100	229	229	190.5	157.2	23.9	8-19	222	400	28.5
5"	125	254	254	216	186	24	8-22	250	600	49.5
6"	150	267	279	241.5	216	25.4	8-22	275	600	66.5
8"	200	292	343	298.5	270	28.5	8-22	310	600	102
10"	250	330	406	362	332	30.2	12-25	345	600	190

DTC reserves the right to modify specifications and/or design parameters without notice.  
 Updated drawings will be provided with quotation requests if required.