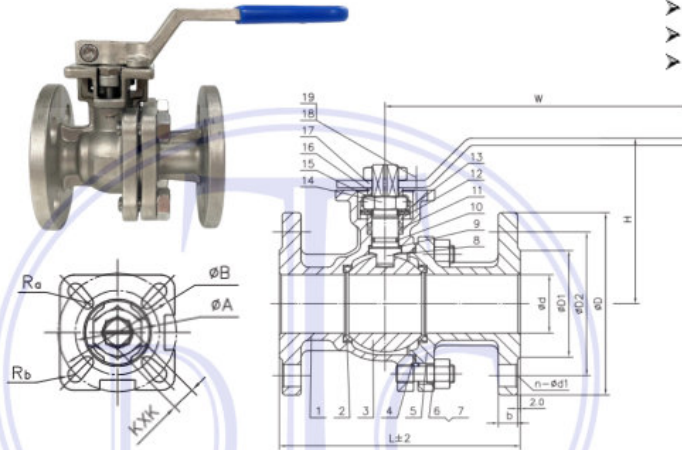


MATERIAL LIST

No.	Part Name	Material
1	Body	CF8M
2	Seat	PFTE
3	Ball	316
4	Gasket	PFTE
5	Bonnet	CF8M
6	Bolt	304
7	Nut	304
8	Stem	316
9	Stem washer	PFTE +25% glass fiber
10	O-ring	FPM
11	Packing	PTFE
12	Gland	304
13	Disc spring	304
14	Nut	304
15	Crown washer	304
16	Washer	304
17	Handle	201
18	Hex socket bolt	304
19	Nut	304

2 Piece Stainless Steel Flanged Ball Valve 150#



DESIGN FEATURES

- Class: 150 (150#) W.O.G.
- ANSI 4-bolt flanged ends
- Temperature range: -20.2° to 302° F
- Test and Inspection: API 598
- WSP = 125 PSI
- Full ISO5211 mounting pad

TORQUE

Size	Normal		Safety Factor		
	Ft/Lbs	N/M	Ft/Lbs	N/M	
1/4	6.35	4.06	5.5	5.16	7
3/4	19.05	5.75	7.8	7.52	10.2
1	25.4	9.22	12.5	12.17	16.5
1 1/4	31.75	13.64	18.5	18.07	24.5
1 1/2	38.1	20.65	28	26.55	36
2	50.8	29.5	40	37.62	51
2 1/2	63.5	45.73	62	60.48	82
3	76.2	70.07	95	89.98	122
4	101.6	95.88	130	125.4	170
5	127	147.51	200	195.5	265
6	152.4	162.26	220	206.5	280

DIMENSIONS

Diameter		d		D1		D2		D		L		b		n-Ød1	Ra		Rb		A		B		KxK	H		W	
inch	mm	inch	mm	inch	mm	inch	mm	inch	mm	inch	mm	inch	mm		inch	mm	inch	mm	inch	mm	inch	mm		inch	mm	inch	mm
1/2"	15	0.6	15	1.4	35	2.4	60	3.5	90	4.3	108	0.4	10.5	4-16	0.1	3	0.1	3	1.4	36	1.7	42	9x9	3.1	80	5.5	140
3/4"	20	0.8	20	1.7	43	2.8	70	3.9	100	4.6	117	0.4	10.5	4-16	0.1	3	0.1	3	1.4	36	1.7	42	9x9	3.3	85	5.5	140
1"	25	1.0	25	2.0	51	3.1	80	4.3	110	5.0	127	0.4	10.5	4-16	0.1	3	0.1	3.5	1.7	42	2.0	50	11x11	3.7	95	6.3	160
1 1/4"	32	1.3	32	2.5	64	3.5	89	4.5	115	5.5	140	0.4	11.2	4-16	0.1	3	0.1	3.5	1.7	42	2.0	50	11x11	4.2	106	6.3	160
1 1/2"	40	1.6	40	2.9	73	3.9	98	4.9	125	6.5	165	0.5	12.7	4-16	0.1	3.5	0.2	4.5	2.0	50	2.8	70	14x14	4.4	112	7.7	195
2"	50	2.0	50	3.6	92	4.8	121	5.9	150	7.0	178	0.6	14.3	4-19	0.1	3.5	0.2	4.5	2.0	50	2.8	70	14x14	4.8	122	7.7	195
2 1/2"	65	2.6	65	4.1	105	5.5	140	7.1	180	7.5	190	0.6	15.9	4-19	0.2	4.5	0.2	5.5	2.8	70	4.0	102	17x17	5.7	145	10.4	265
3"	80	3.1	80	5.0	127	6.0	152	7.5	190	8.0	203	0.7	17.5	4-19	0.2	4.5	0.2	5.5	2.8	70	4.0	102	17x17	6.0	152	12.6	320
4"	100	3.9	100	6.2	157	7.5	190	9.1	230	9.0	229	0.9	22.3	8-19	0.2	4.5	0.2	5.5	2.8	70	4.0	102	17x17	6.8	172	12.6	320
5"	125	4.9	125	7.3	185	8.5	216	10.0	255	14.0	356	0.9	22.3	8-22	0.2	5.5	0.3	6.5	4.0	102	4.9	125	22x22	8.5	216	14.6	370
6"	150	5.9	150	8.5	216	9.5	241	11.0	280	15.5	394	0.9	23.9	8-22	0.2	5.5	0.3	6.5	4.0	102	4.9	125	27x27	9.6	243	19.7	500

DTC reserves the right to modify specifications and/or design parameters without notice.