

Stainless Steel Inline Check Valve

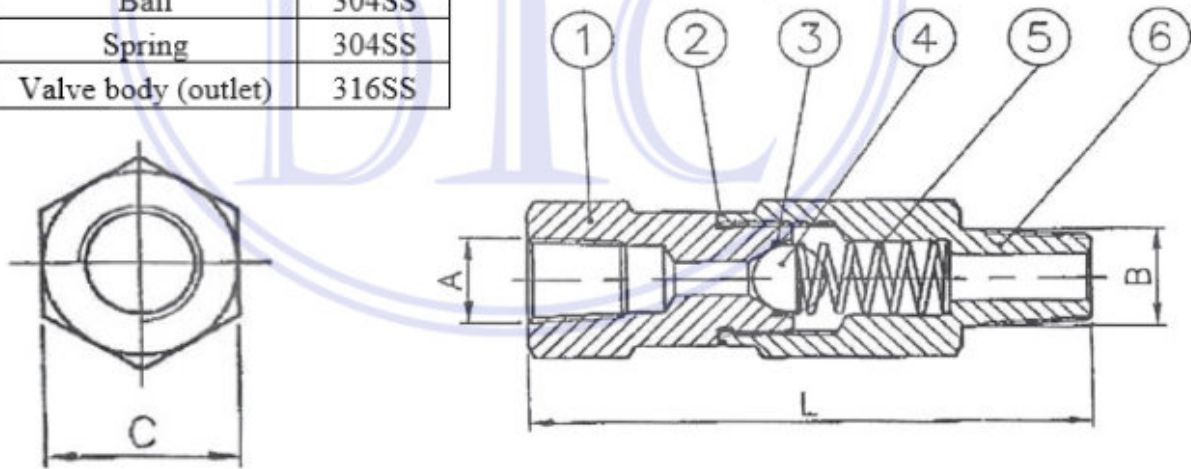


MATERIAL LIST

No.	Part Name	Material
1	Valve body	316SS
2	Packing	316SS
3	O-ring	Viton
4	Ball	304SS
5	Spring	304SS
6	Valve body (outlet)	316SS

DESIGN FEATURES

- Class: 6000 PSI
- Cracking pressure: 8PSI~10PSI



DIMENSIONS

Size		A		B		C		L		CV
inch	mm	inch	mm	inch	mm	inch	mm	inch	mm	
1/8	3.18	1/8" NPT	3.18	1/8" NPT	3.18	0.75	19.1	2.92	74	1.0
1/4	6.35	1/4" NPT	6.35	1/4" NPT	6.35	0.75	19.1	2.92	74	1.2
1/2	12.70	1/2" NPT	12.70	1/2" NPT	12.70	1.06	26.9	2.97	75	1.5
3/4	19.05	3/4" NPT	19.05	3/4" NPT	19.05	1.26	32.0	3.33	85	1.8
1	25.40	1" NPT	24.50	1" NPT	24.50	1.26	32.0	3.33	85	1.8

DTC reserves the right to modify specifications and/or design parameters without notice.