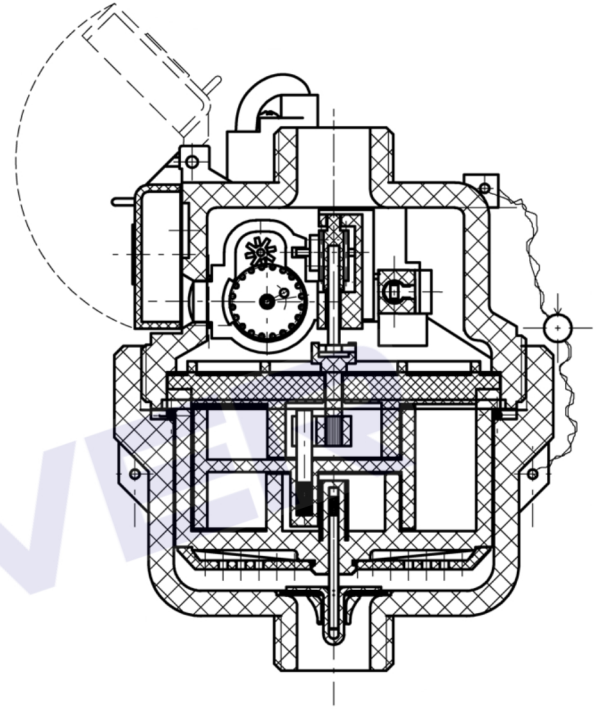


## VPD Plastic Meter

### DESIGN FEATURES

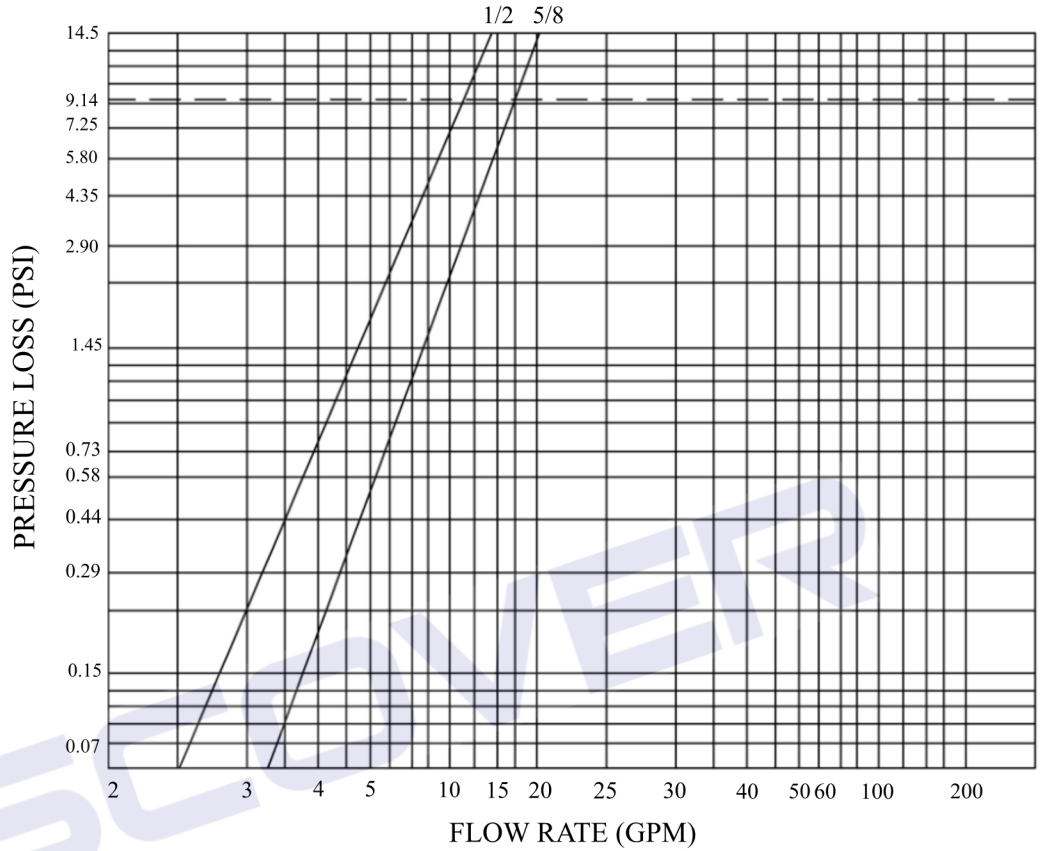
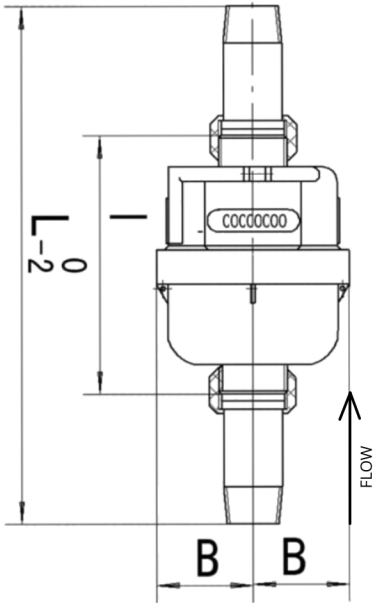
- Meter options:
  - 1 Gallon per contact
  - 1 Liter per contact
- Maximum pressure: 232 PSI
- Temperature range: 33°F to 122°F
- Reed switch: Normally Open (N/O), 24v, dry contact type
- Vertical PD design with NPT couplings
- Can be installed vertically or horizontally
- Corrosion resistant plastic body



### INSTALLATION GUIDE

- Meter should always be full of water and can be mounted vertically and/or horizontally.
- Protect the meter in outdoor environments from direct exposure and freezing.
- To prevent particles from entering the meter, flush the line prior to connecting.

## VPD Plastic Meter (Liters)



Description	Data	Unit
Nominal size	15	mm
	5/8 x 3/4	inch
Maximum flow-rate	20	GPM
Continuous flow-rate	10	GPM
Minimum flow-rate	0.25	GPM
Normal flow-rate range	1-20	GPM
Min. reading	0.1	Liter
Max. reading	9999	m <sup>3</sup>
Max. working pressure	232	PSI
Water meter	0.5	kg
	1.1	lb
Couplings	0.1	kg
	0.2	lb

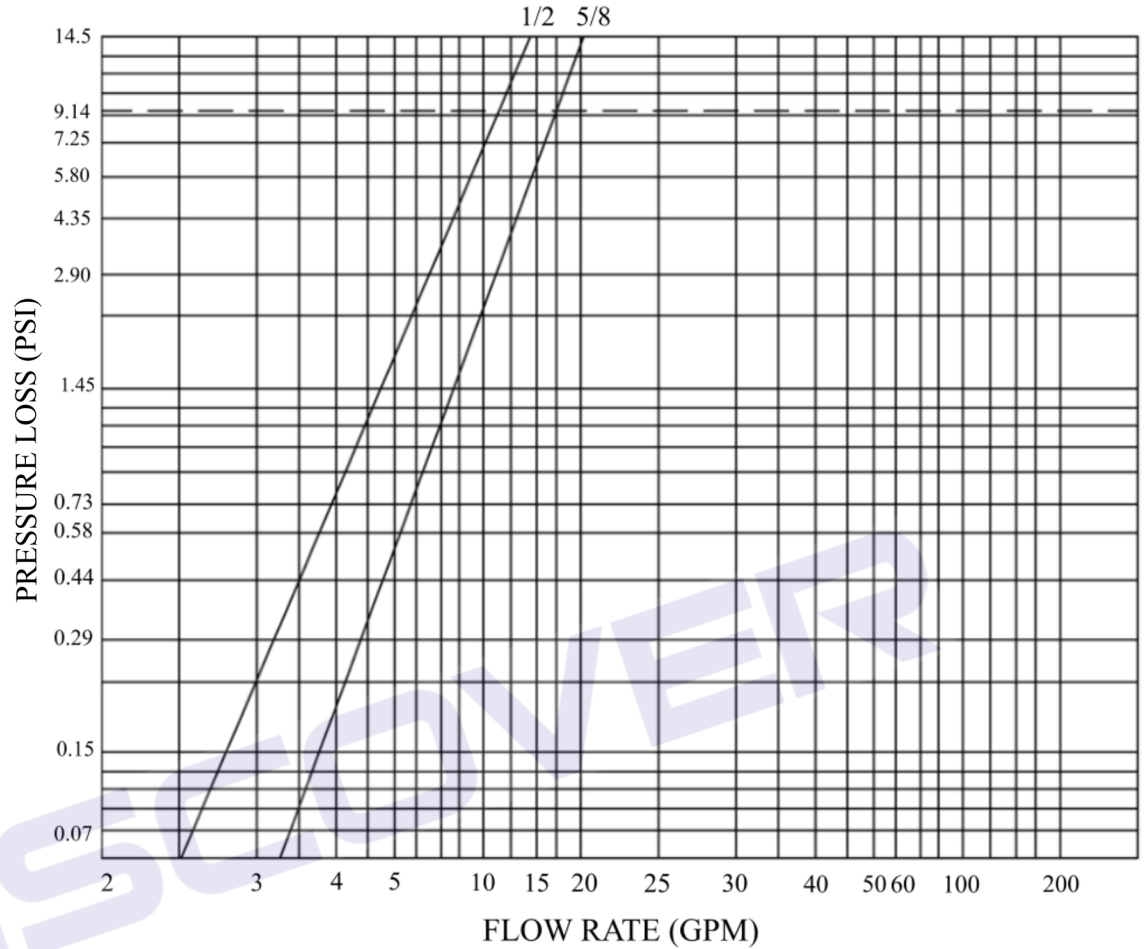
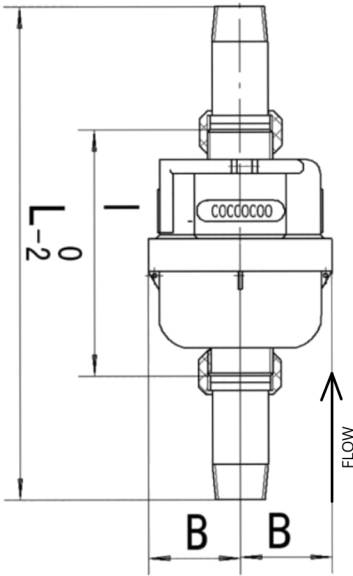
L	265	mm
	10.4	inch
I	165	mm
	6.5	inch
B	48	mm
	1.9	inch

### Registration Accuracy

Normal flow-rate range	± 1.5%
Minimum flow-rate	± 3.0%



## VPD Plastic Meter (US gallons)



Description	Data	Unit
Nominal size	15	mm
	5/8 x 3/4	inch
Maximum flow-rate	20	GPM
Continuous flow-rate	10	GPM
Minimum flow-rate	0.25	GPM
Normal flow-rate range	1-20	GPM
Min. reading	0.1	Gallon
Max. reading	9999999	Gallon
Max. working pressure	232	PSI
Water meter	0.5	kg
	1.1	lb
Couplings	0.1	kg
	0.2	lb

L	265	mm
	10.4	inch
I	165	mm
	6.5	inch
B	48	mm
	1.9	inch



### Registration Accuracy

Normal flow-rate range	± 1.5%
Minimum flow-rate	± 3.0%