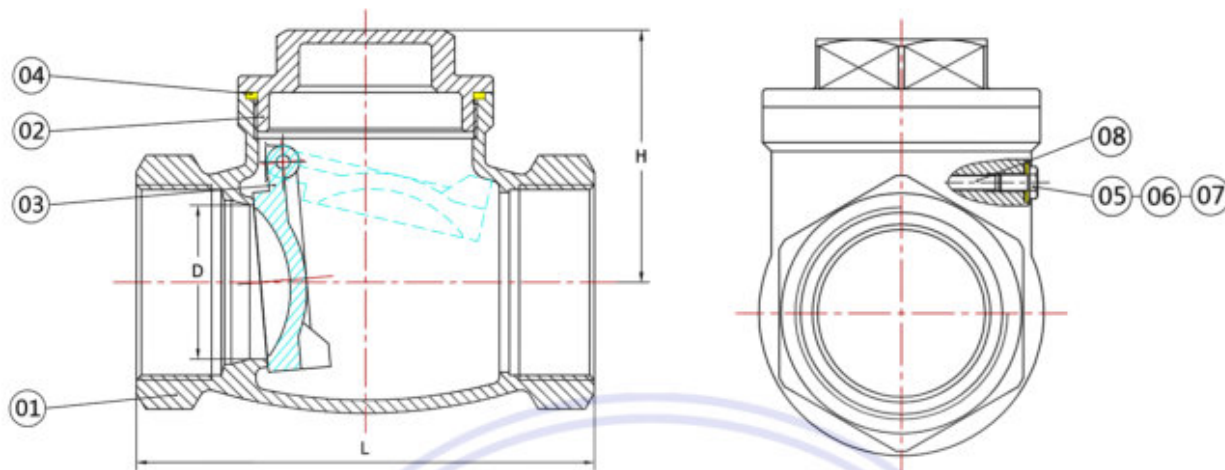


Swing Check Valves Stainless Steel 304SS



MATERIAL LIST

No.	Part Name	Material
1	Body	CF8
2	End cap	CF8
3	Disc	CF8
4	Gasket	PTFE
5	Bolt	304
6	Washer	304
7	PTFE washer	PTFE
8	Pin	304



DESIGN FEATURES

- 200 PSI rated
- Connection standard: NPT
- Pressure: ASME B16.34
- Temperature ASME B16.34
- Test and Inspection: API 598

DIMENSIONS

Size		D		H		L	
inch	mm	inch	mm	inch	mm	inch	mm
1/4	6.35	0.39	10	1.44	36.5	2.20	56
3/8	9.65	0.47	12	1.44	36.5	2.20	56
1/2	12.70	0.59	15	1.57	40.0	2.56	65
3/4	19.05	0.79	20	1.95	49.5	3.15	80
1	25.40	0.91	23	2.24	57.0	3.54	90
1 1/4	31.75	1.18	30	2.42	61.5	4.13	105
1 1/2	38.10	1.50	38	2.80	71.0	4.72	120
2	50.80	1.85	47	3.03	77.0	5.51	140
2 1/2	63.50	2.48	63	3.98	101.0	6.50	165
3	76.20	2.99	76	4.78	121.5	7.48	190
4	101.60	3.74	95	5.30	134.5	9.45	240

DTC reserves the right to modify specifications and/or design parameters without notice.