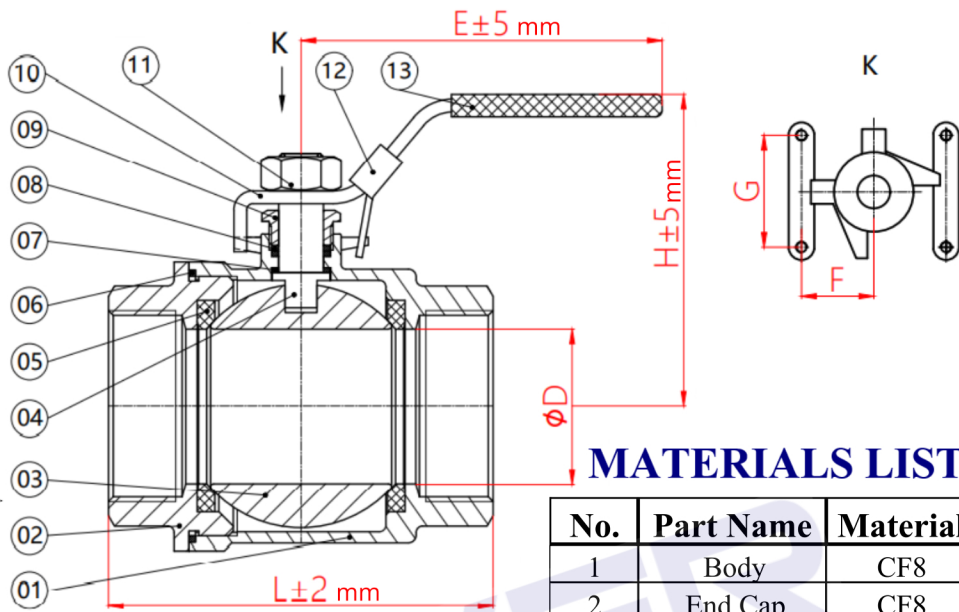
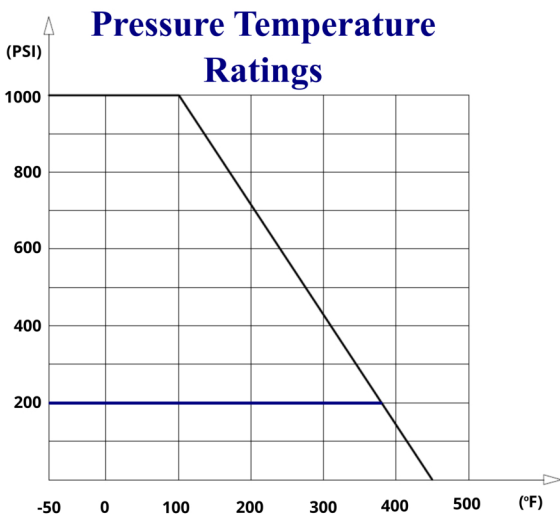


Stainless Steel Ball Valve 1000 PSI Full-Port Design



MATERIALS LIST

No.	Part Name	Material
1	Body	CF8
2	End Cap	CF8
3	Ball	304SS
4	Stem	304SS
5	Seat	PTFE
6	Gasket	PTFE
7	Thrust Washer	PTFE
8	Packing	PTFE
9	Gland	CF8
10	Handle	201
11	Nut	201
12	Locking Pad	201
13	Handle Sleeve	PVC

DESIGN FEATURES

- 1000 PSI WOG
- Seat: Reinforced Teflon
- Steam rating: 150 PSI WSP
- Blow-out-proof stem design
- Connection Standard: NPT
- Test and Inspection: API 598
- Temperature Range: -4°F to 375°F
- Meets NACE MR-01-75 Requirements
- Pressure & Temperature: ASME B16.34



DIMENSIONS

Part Number	Size	D		L		E		H		CV Value
		inch	mm	inch	mm	inch	mm	inch	mm	
102468	1/4	0.5	12	2.2	56	3.5	90	2.0	50	6
102469	3/8	0.5	12	2.2	56	3.5	90	2.0	50	11
102470	1/2	0.6	15	2.5	63	4.3	110	2.2	55	20
102471	3/4	0.8	20	3.0	75	4.3	110	2.6	65	38
102472	1	1.0	25	3.4	86	5.7	145	3.0	75	72
102473	1 1/4	1.3	32	3.9	99	5.7	145	3.1	80	93
102474	1 1/2	1.5	38	4.2	107	7.5	190	3.5	90	145
102475	2	1.9	49	4.9	125	7.5	190	3.9	100	230
102758	2 1/2	2.6	65	6.2	158	8.7	220	5.1	130	406
102759	3	3.1	78	7.3	185	9.6	245	5.7	145	576
102760	4	3.9	100	8.8	223	12.8	325	6.3	161	940

Part Number	Size	F		G	
		inch	mm	inch	mm
102758	2 1/2	1.38	35	2.13	54
102759	3	1.38	35	2.13	54
102760	4	1.34	34	1.99	51