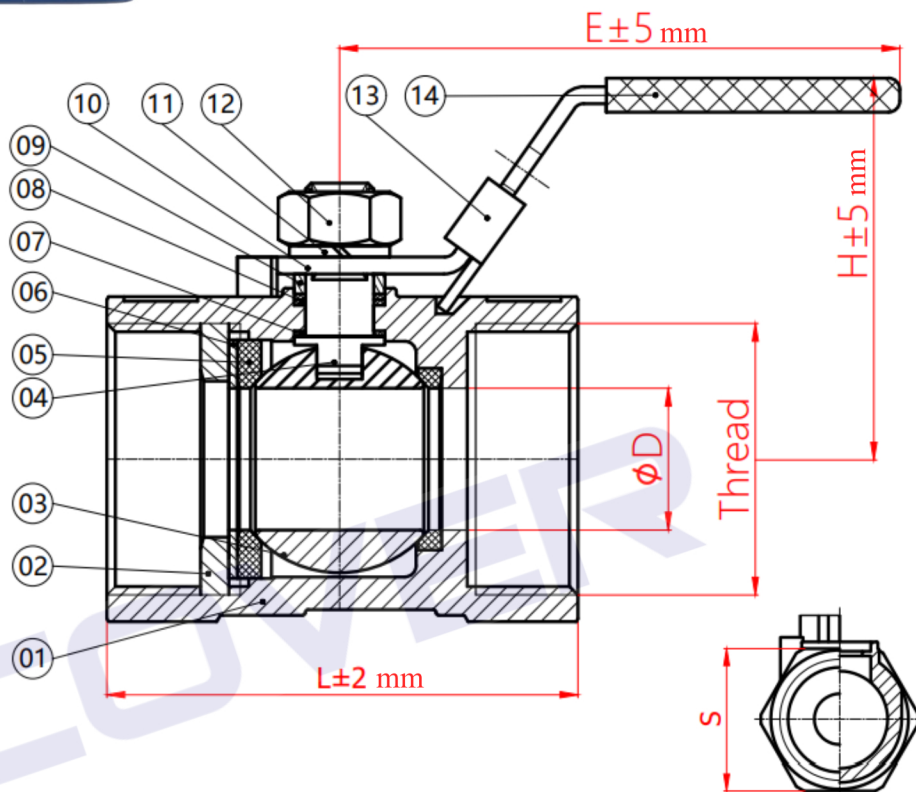


## 316 Stainless Steel Unibody Ball Valve 1000 PSI



### MATERIALS LIST

No.	Part Name	Material
1	Body	CF8M
2	End cap	CF8M
3	Ball	316SS
4	Stem	316SS
5	Seat	PTFE
6	Gasket	PTFE
7	Thrust washer	PTFE
8	Packing	PTFE
9	Gland	304SS
10	Handle	201
11	Elastic gasket	304SS
12	Handle nut	304SS
13	Locking pad	201
14	Handle sleeve	PVC

### DESIGN FEATURES

- 1,000 PSI WOG
- Pressure: ASME B16.34
- Temperature: ASME B16.34
- Test and Inspection: API 598
- Connection standard: NPT

### DIMENSIONS

Part Number	Size		D		L		E		H		S		CV
	inch		inch	mm	inch	mm	inch	mm	inch	mm	inch	mm	
100079	1/4		0.20	5	1.57	40	2.76	70	1.26	32	0.67	17	4
100080	3/8		0.28	7	1.73	44	3.19	81	1.30	33	0.81	21	6
100081	1/2		0.35	9	2.20	56	3.62	92	1.85	47	0.96	25	15
100082	3/4		0.51	13	2.32	59	3.70	94	1.97	50	1.26	32	28
100083	1		0.59	15	2.80	71	4.72	120	2.09	53	1.50	38	36
100084	1 1/4		0.79	20	3.03	77	4.72	120	2.44	62	1.85	47	56
100085	1 1/2		0.98	25	3.23	82	5.55	141	2.64	67	2.09	53	94
100086	2		1.26	32	3.86	98	5.75	146	2.87	73	2.56	65	152