

# TC-01TK VALVE

## 1PC REDUCED PORT 1000 WOG BALL VALVE, THREADED

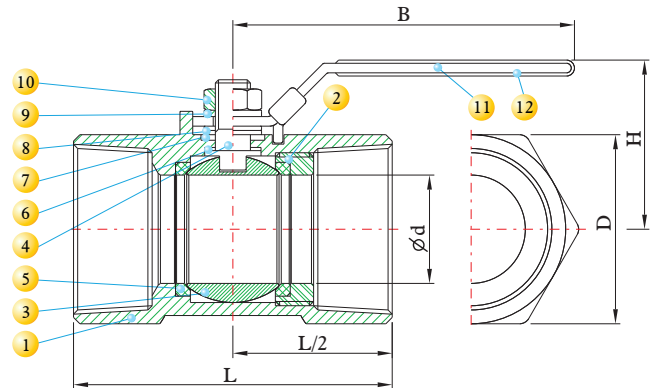
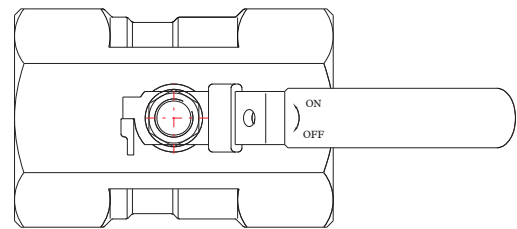


### DESIGN FEATURES:

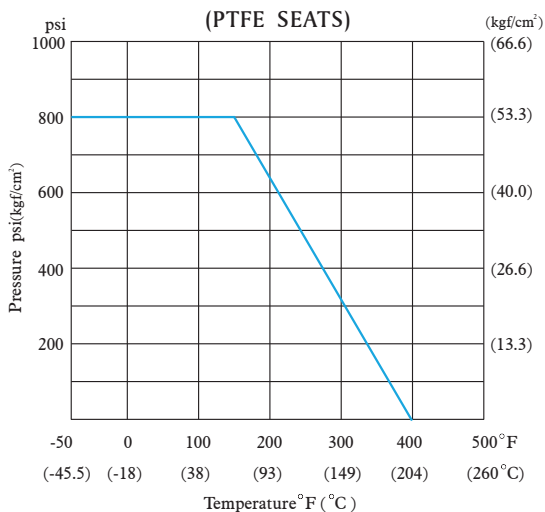
- Steam rating: 125 psi WSP
- Blow-out-proof stem design
- Padlocking device
- Body: ASTM A351 Gr.CF8M
- Stem: SS316
- Seat: PTFE
- End Connections: Threaded End
- Working Pressure: 1000 psi
- Temperature Range: -50° to 400° F
- TEST STANDARD: API 598
- Vacuum Service to 29" Hg
- Threaded Type:  
ANSI B1.20.1 (NPT)  
DIN 259/DIN 2999  
ISO 228

### MATERIALS LIST

| NO. | PART NAME     | MATERIAL          | QTY |
|-----|---------------|-------------------|-----|
| 1   | BODY          | ASTM A351 Gr.CF8M | 1   |
| 2   | CAP           | ASTM A351 Gr.CF8M | 1   |
| 3   | BALL          | ASTM A351 Gr.CF8M | 1   |
| 4   | STEM          | ASTM A276 Gr.316  | 1   |
| 5   | SEAT          | PTFE              | 2   |
| 6   | THRUST WASHER | PTFE              | 1   |
| 7   | PACKING       | PTFE              | 1   |
| 8   | WASHER        | SS304             | 2   |
| 9   | SPRING WASHER | SS304             | 1   |
| 10  | HANDLE NUT    | SS304             | 1   |
| 11  | HANDLE        | SS304             | 1   |
| 12  | HANDLE SLEEVE | VINYL GRIP        | 1   |
| 13  | LOCKING PLATE | SS304             | 1   |



### PRESSURE TEMPERATURE RATINGS



### DIMENSIONS

| SIZE   | d    |      | B    |     | D    |      | L    |       | H    |    | Cv Factor | Weight |      |
|--------|------|------|------|-----|------|------|------|-------|------|----|-----------|--------|------|
|        | inch | mm   | inch | mm  | inch | mm   | inch | mm    | inch | mm |           | Kg     | Lb   |
| 1/4"   | 0.20 | 5.0  | 2.36 | 60  | 0.67 | 17.0 | 1.54 | 39.0  | 1.22 | 31 | 1         | 0.08   | 0.18 |
| 3/8"   | 0.28 | 7.0  | 2.76 | 70  | 0.83 | 21.0 | 1.73 | 44.0  | 1.38 | 35 | 2         | 0.11   | 0.24 |
| 1/2"   | 0.36 | 9.2  | 3.39 | 86  | 0.98 | 25.0 | 2.22 | 56.0  | 1.69 | 43 | 4         | 0.17   | 0.38 |
| 3/4"   | 0.49 | 12.5 | 3.39 | 86  | 1.26 | 32.0 | 2.32 | 59.0  | 1.81 | 46 | 7         | 0.25   | 0.55 |
| 1"     | 0.63 | 16.0 | 4.09 | 104 | 1.50 | 38.0 | 2.80 | 71.0  | 1.97 | 50 | 10        | 0.45   | 0.99 |
| 1 1/4" | 0.79 | 20.0 | 4.09 | 104 | 1.93 | 49.0 | 3.11 | 79.0  | 2.13 | 54 | 17        | 0.74   | 1.63 |
| 1 1/2" | 0.96 | 24.5 | 4.96 | 126 | 2.09 | 53.0 | 3.27 | 83.0  | 2.56 | 65 | 26        | 0.83   | 1.83 |
| 2"     | 1.26 | 32.0 | 4.96 | 126 | 2.56 | 65.0 | 3.94 | 100.0 | 2.83 | 72 | 45        | 1.25   | 2.75 |