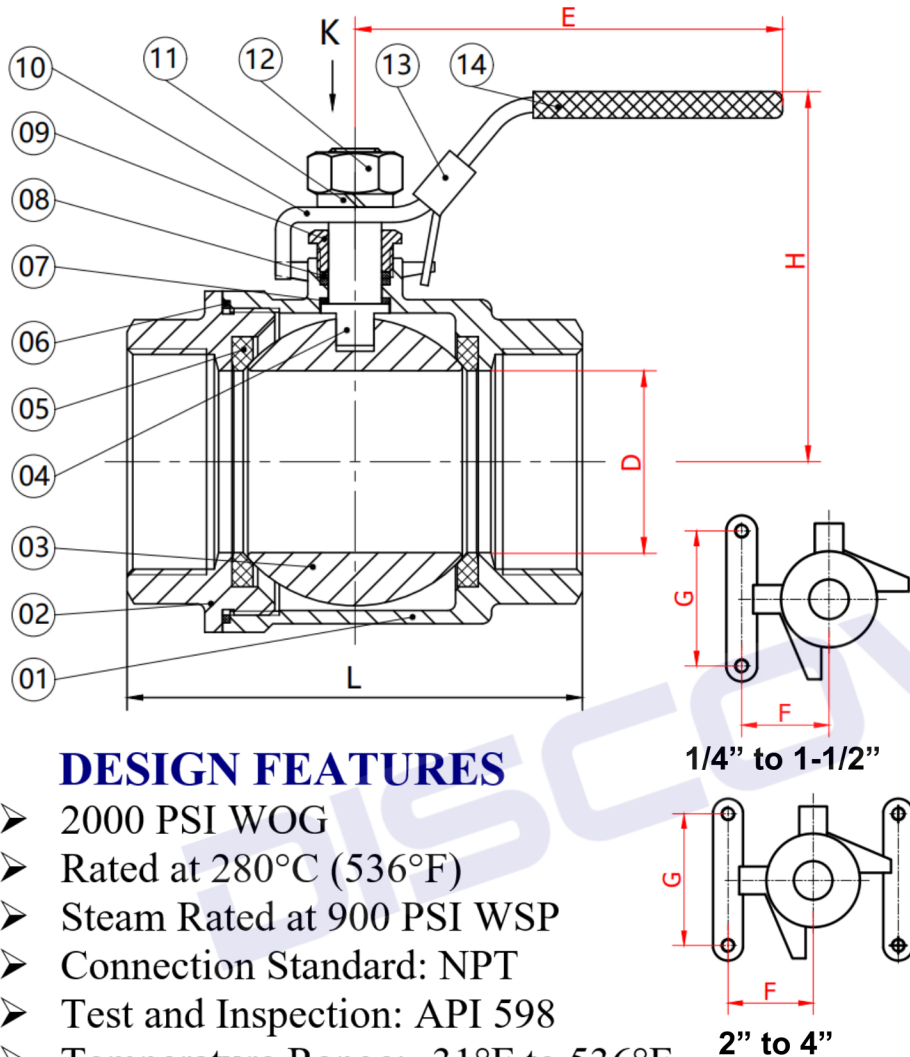


## High Temperature Ball Valve 2000 PSI



### MATERIALS LIST

No.	Part Name	Material
1	Body	CF8M
2	End Cap	CF8M
3	Ball	316SS
4	Stem	316SS
5	Seat	Grafoil
6	Gasket	Grafoil
7	Thrust Washer	Grafoil
8	Packing	Grafoil
9	Gland	CF8
10	Handle	201
11	Elastic Gasket	304SS
12	Nut	304SS
13	Locking Pad	201
14	Handle Sleeve	PVC

### DESIGN FEATURES

- 2000 PSI WOG
- Rated at 280°C (536°F)
- Steam Rated at 900 PSI WSP
- Connection Standard: NPT
- Test and Inspection: API 598
- Temperature Range: -31°F to 536°F
- Pressure & Temperature: ASME B16.34

### DIMENSIONS

Part Number	Size	D		L		E		H		F		G		CV
		inch	mm	inch	mm	inch	mm	inch	mm	inch	mm	inch	mm	
102591	1/4	0.47	12	2.36	60	3.70	94	2.13	54	0.51	13	1.14	29	16
102592	3/8	0.47	12	2.36	60	3.70	94	2.13	54	0.51	13	1.12	29	16
102593	1/2	0.59	15	2.56	65	3.94	100	2.20	56	0.51	13	1.12	29	26
102594	3/4	0.79	20	2.87	73	4.33	110	2.68	68	0.87	22	1.38	35	55
102595	1	0.98	25	3.31	84	5.71	145	2.91	74	0.87	22	1.38	35	110
102596	1 1/4	1.26	32	3.70	94	5.71	145	3.19	81	0.94	24	1.50	38	180
102597	1 1/2	1.50	38	4.37	111	6.50	165	3.31	84	0.94	24	1.50	38	270
102598	2	1.93	49	4.88	124	6.50	165	3.70	94	0.94	24	1.50	38	500
102599	2 1/2	2.56	65	6.22	158	8.66	220	5.12	130	1.38	35	2.13	54	800
102600	3	3.07	78	7.28	185	9.65	245	5.71	145	1.38	35	2.13	54	1150
102601	4	3.94	100	8.78	223	12.80	325	6.34	161	1.34	34	2.01	51	2120