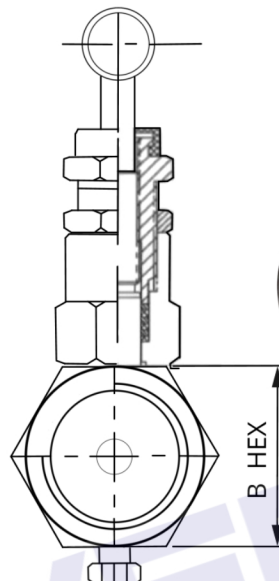
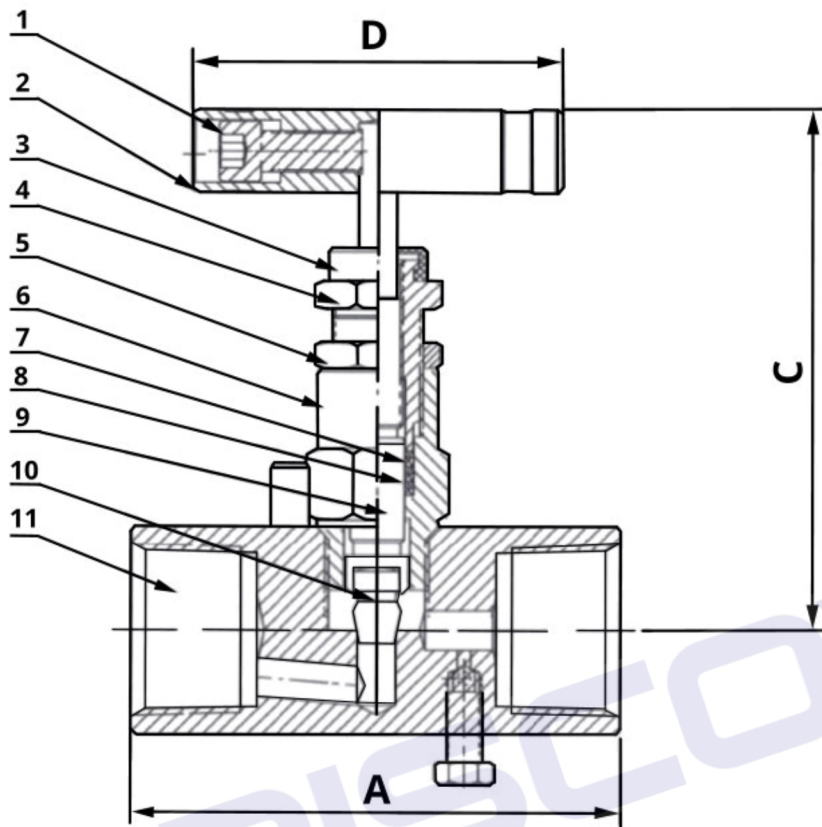


High-Temperature Block & Bleed Needle Valve



MATERIALS LIST

No.	Part Name	Material
1	Set screw	SS
2	T Handle	SS
3	Dust cap	PVC
4	Gland nut	316SS
5	Nut	304SS
6	Bonnet	316SS
7	Packing	Graphite
8	Packing	Graphite
9	Stem	316SS
10	Tip	17-4PH
11	Body	316SS

DESIGN FEATURES

- Class: 10,000 PSI
- Hard seat
- Rated at 1000°F (538°C)
- Meets NACE MR-01-75 requirements
- Threads conform to ASME B1.20.1
- Bi-directional flow, with preferred flow indicated

DIMENSIONS

Part Number	Size	A		B		C		D	
	inch	inch	mm	inch	mm	inch	mm	inch	mm
102739	1/4	2.95	75	1.26	32	3.35	85	2.24	57
102740	1/2	2.95	75	1.30	33	3.35	85	2.24	57