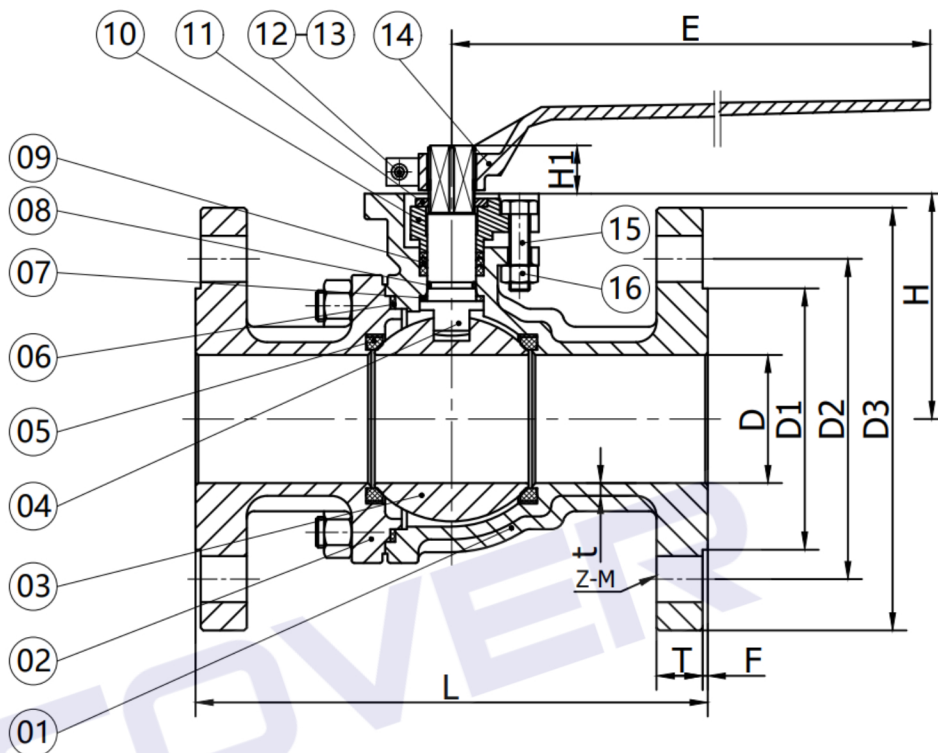


Stainless Steel 150 # Flanged Ball Valve

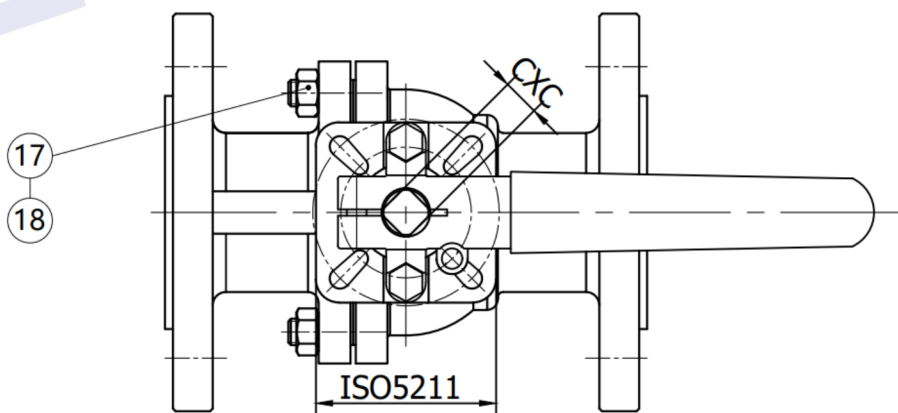
TORQUE

Size inch	Torque Safety Factor = 1.3	
	Ft-Lbs	N/M
2	16	22
2 1/2	30	40
3	44	60
4	66	90
6	221	300
8	368	500



MATERIALS LIST

No.	Part Name	Material	Qty
1	Body	CF8	1
2	End Cap	CF8	1
3	Ball	304SS	1
4	Stem	304SS	1
5	Seat	PTFE	2
6	Gasket	PTFE	1
7	Thrust Washer	PTFE	1
8	Stem O-ring	Viton	1
9	Packing	PTFE	1 set
10	Gland	CF8	1
11	Stop Plate	201	1
12	Bolt	304SS	1
13	Nut	304SS	1
14	Handle	CF8	1
15	Bolt	304SS	2
16	Nut	304SS	2
17	Bolt	304SS	Varies
18	Nut	304SS	Varies



DESIGN FEATURES

- Class: 150# WOG
- ANSI Flanged Ends
- ASME B16.10
- Tested and Inspection: API 598
- Full ISO 5211 Mounting Pad
- Temperature Range: -20°F to 248°F
- API 607 7th Edition Fire Safe Approval up to 4"

Stainless Steel 150# Flanged Ball Valve

DIMENSIONS

Part Number	Size	D		L		E		H		H1		C	
	inch	inch	mm	inch	mm	inch	mm	inch	mm	inch	mm	inch	mm
102769	2	1.97	50	7.00	178	8.39	213	5.04	128	0.63	16	0.55	14
102770	2 1/2	2.56	65	7.00	190	10.43	265	6.42	163	0.75	19	0.67	17
102766	3	3.07	78	8.00	203	10.39	264	6.69	170	0.75	19	0.67	17
102767	4	3.94	100	9.00	229	11.93	303	7.60	193	0.94	24	0.87	22
102765	6	5.91	150	15.50	394	31.50	800	8.23	209	1.06	27	1.06	27
102768	8	7.87	200	18.00	457	31.50	800	10.28	261	1.06	27	1.06	27

Part Number	Size	D1		D2		D3		T		F		Z-M	ISO 5211
	inch	inch	mm	inch	mm	inch	mm	inch	mm	inch	mm		
102769	2	3.62	92	4.76	121	5.98	152	0.63	16	0.06	1.6	4-19	F04/F05
102770	2 1/2	4.13	105	5.51	140	5.98	152	0.63	16	0.06	1.6	4-19	F04/F05
102766	3	5.00	127	5.98	152	7.48	190	0.75	19	0.06	1.6	4-19	F04/F05
102767	4	6.18	157	7.52	191	9.06	230	0.94	24	0.06	1.6	8-19	F04/F05
102765	6	8.50	216	9.49	241	11.02	280	0.94	24	0.06	1.6	8-22	F12
102768	8	10.63	270	11.77	299	13.58	345	1.06	27	0.06	1.6	8-22	F12

