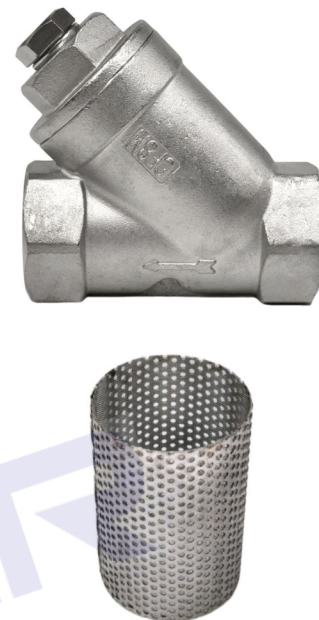
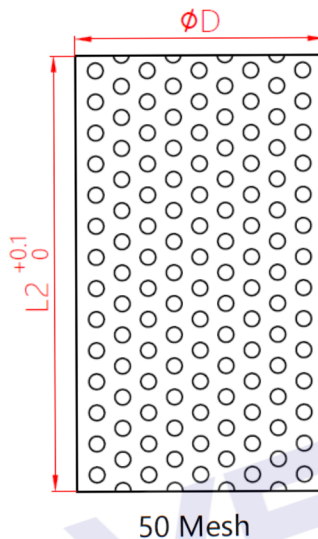
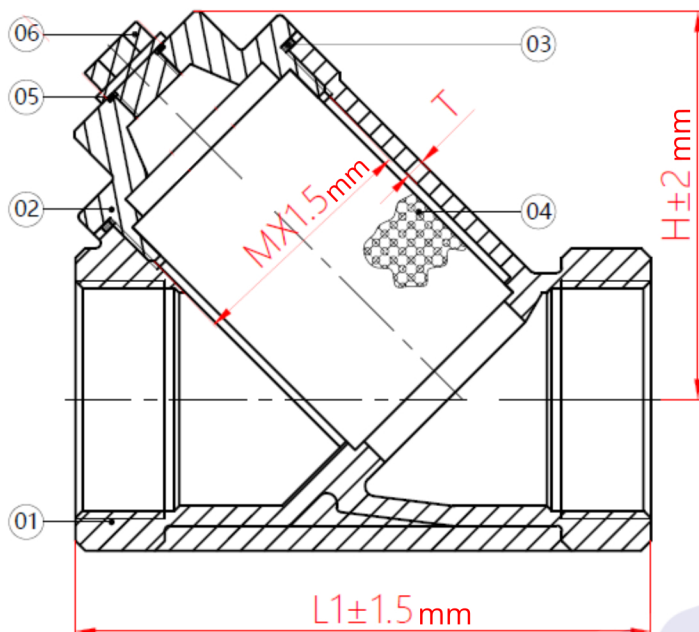


Threaded Y-Strainer 316 Stainless Steel



MATERIALS LIST

No.	Part Name	Material
1	Body	CF8M
2	End cap	CF8M
3	Gasket	PTFE
4	Filter Net	316SS
5	Gasket	PTFE
6	Nut	316SS

DESIGN FEATURES

- Pressure: 800 PSI
- End type: NPT
- Pressure: ASME B16.34
- Temperature: ASME B16.34
- Test and Inspection: API 598
- Connection standard: ASME B1.20.1

DIMENSIONS

Size	L1		H		T		M		L2		D		CV Value
	inch	mm	inch	mm	inch	mm	inch	mm	inch	mm	inch	mm	
1/4	2.58	66	1.73	44	0.09	2	0.94	24	1.32	34	0.75	19	3
3/8	2.54	65	1.73	44	0.09	2	0.94	24	1.32	34	0.75	19	3
3	7.52	191	5.51	140	0.18	5	3.50	89	4.09	104	3.19	81	48
4	9.41	239	7.09	180	0.18	5	4.37	111	5.55	141	4.06	103	75