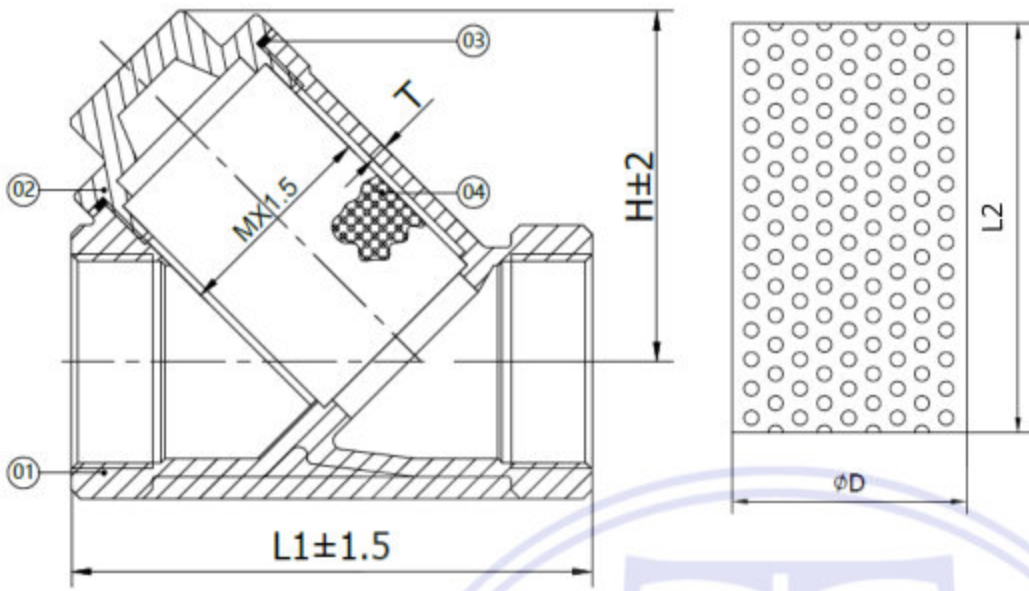


## Threaded Y-Strainer 304 Stainless Steel



### MATERIALS LIST

No.	Part Name	Material
1	Body	CF8
2	End Cap	CF8
3	Gasket	PTFE
4	Filter Net 50 Mesh	304

### DESIGN FEATURES

- Pressure: 800 PSI
- End Type: NPT
- Connection Standard: ASME B1.20.1
- Temperature: ASME B16.34
- Test and Inspection: API 598

### DIMENSIONS

Size	L1		H		T		M		D		L2	
	inch	mm	inch	mm	inch	mm	inch	mm	inch	mm	inch	mm
1/4	2.5	63.5	1.8	45.7	0.1	2.5	0.9	22.9	0.8	20.3	1.3	33.0
3/8	2.5	63.5	1.8	45.7	0.1	2.5	0.9	22.9	0.8	20.3	1.3	33.0
1/2	2.3	58.4	1.6	40.6	0.1	2.5	0.9	22.9	0.8	20.3	1.3	33.0
3/4	2.9	73.7	2.1	53.3	0.1	2.5	1.2	30.5	1.0	25.4	1.6	40.6
1	3.3	83.8	2.3	58.4	0.1	2.5	1.4	35.6	1.2	30.5	2.0	50.8
1 1/4	3.9	99.1	2.6	66.0	0.1	2.5	1.7	43.2	1.4	35.6	2.1	53.3
1 1/2	4.3	109.2	3.5	88.9	0.1	2.5	1.9	48.3	1.8	45.7	2.4	61.0
2	5.4	137.2	3.8	96.5	0.1	2.5	2.1	53.3	2.1	53.3	3.3	83.8
2 1/2	6.6	167.6	4.5	114.3	0.2	5.1	2.7	68.6	2.7	68.6	3.6	91.4
3	7.5	190.5	5.2	132.1	0.2	5.1	3.2	81.3	3.2	81.3	4.1	104.1
4	9.4	238.8	6.5	165.1	0.2	5.1	4.1	104.1	4.1	104.1	5.6	142.2

DTC reserves the right to modify specifications and/or design parameters without notice.