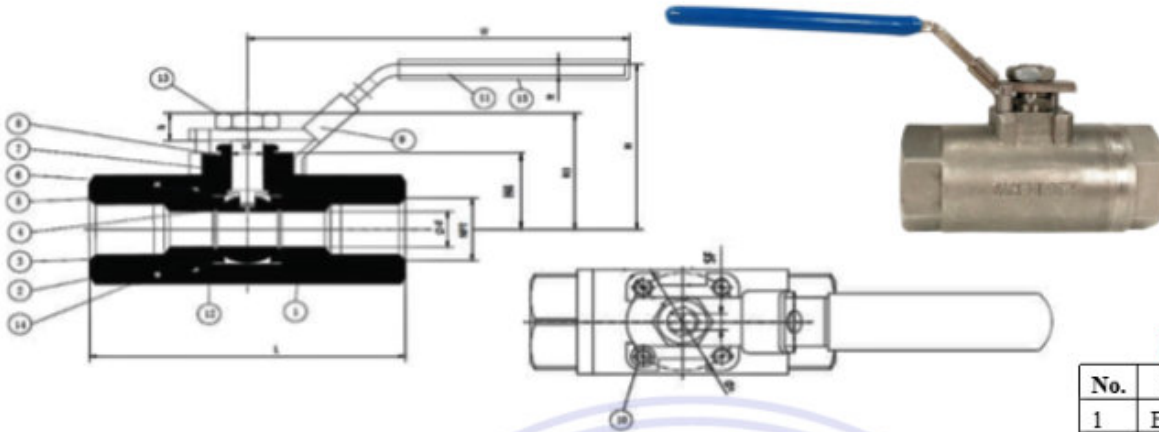


Stainless Steel Ball Valves 3000 PSI Full Port

TORQUE

Size		Ft-Lbs
inch	mm	
1/4	6.35	11.0
3/8	9.65	11.0
1/2	12.7	11.0
3/4	19.1	16.0
1	25.4	29.5
1 1/4	31.8	40.35
1 1/2	38.1	66.33
2	50.8	103.2



DIMENSIONS

Size		ØD		L		H		W		ØS		SF	
inch	mm	inch	mm	inch	mm	inch	mm	inch	mm	inch	mm	inch	mm
1/4	6.35	0.39	9.91	3.85	97.8	2.32	59	5.70	145	1.42	36	0.24	6.10
3/8	9.65	0.47	11.9	3.85	97.8	2.32	59	5.70	145	1.42	36	0.24	6.10
1/2	12.7	0.50	12.7	3.85	97.8	2.32	59	5.70	145	1.42	36	0.24	6.10
3/4	19.1	0.75	19.1	4.25	108	2.60	66	7.48	190	1.65	42	0.28	7.11
1	25.4	1.00	25.4	5.39	137	2.85	72	7.48	190	1.65	42	0.39	9.91
1 1/4	31.8	1.25	31.8	5.39	137	3.74	95	8.66	220	1.97	50	0.39	9.91
1 1/2	38.1	1.50	38.1	6.30	160	5.15	131	10.0	254	2.76	70	0.47	11.9
2	50.8	2.00	50.8	6.30	160	5.47	139	10.0	254	2.76	70	0.59	15

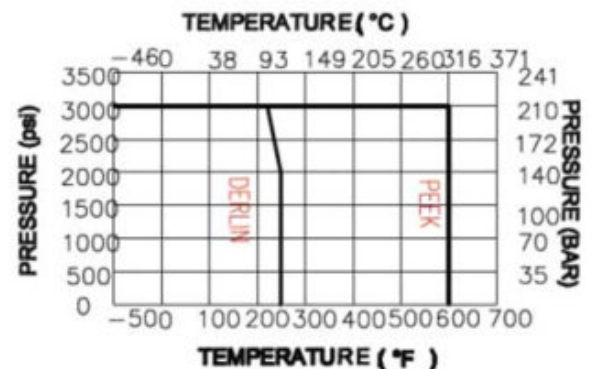
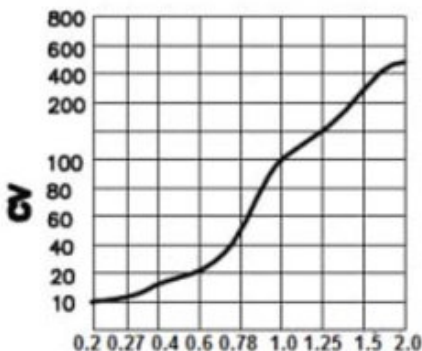
MATERIAL LIST

No.	Part Name	Material
1	Body	CF8M
2	Cap	CF8M
3	Seat	Delrin
4	Ball	ASTM/A182/F316
5	Stem	ASTM/A276/SS316
6	Thrust washer	Delrin
7	Packing	Graphite
8	Gland	ASTM/A276/SS304
9	Locking	SS
10	Bolt	SS
11	Handle	SS201
12	O-ring	Viton
13	Stem nut	SS
14	Gasket	Graphite
15	Handle cover	PVC

PRESSURE TEMPERATURE RATINGS

DESIGN FEATURES

- Class: 3000 PSI
- Blow-out-proof Ball Valve stem
- Seal weld construction
- Rating of 3000 CWP
- ASTM A351 CF8M
- NACE MR-01-75 compliant
- Tested to API 598
- Anti-static Ball Valve device
- Mounting pad
- Locking device handle
- NPT threaded ends comply to ANSI B1.20.1



DTC reserves the right to modify specifications and/or design parameters without notice.