

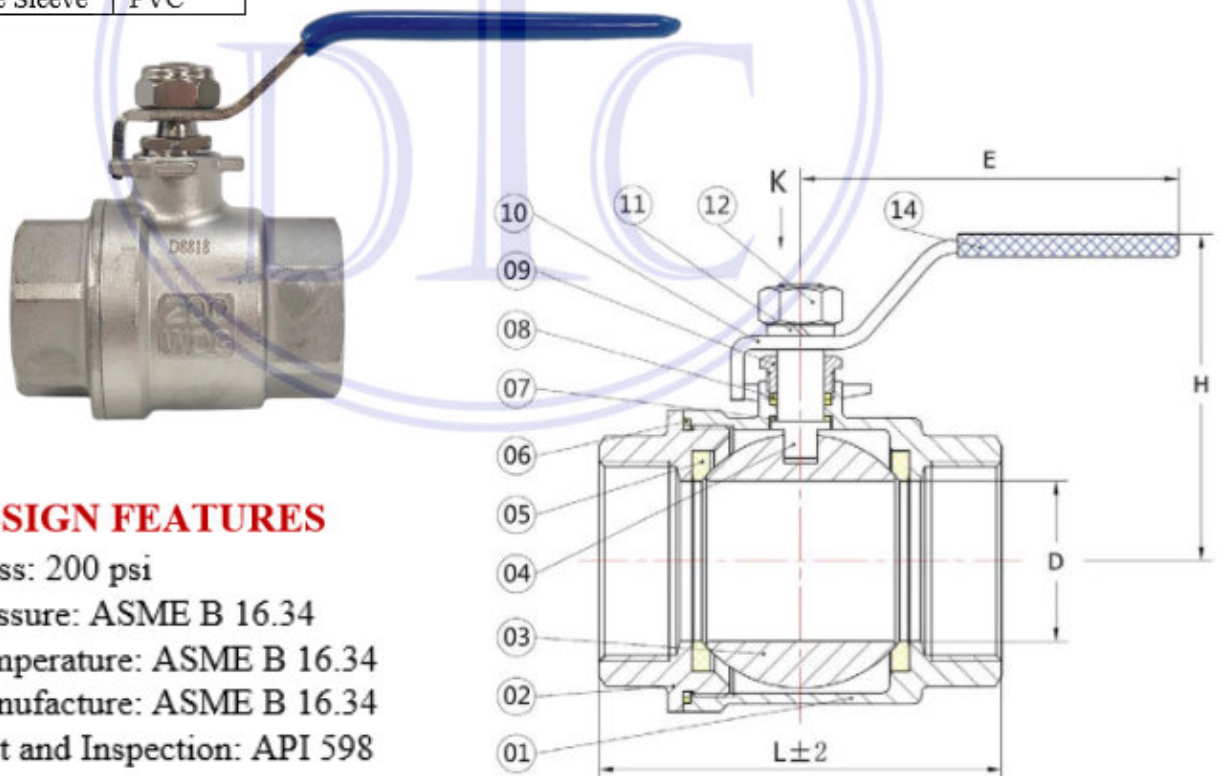
200 PSI 2-Piece Body Full-Port Stainless Steel Ball Valve

MATERIAL LIST

No.	Part Name	Material
1	Body	CF8
2	End cap	CF8
3	Ball	304
4	Stem	304
5	Seat	PTFE
6	Gasket	PTFE
7	Thrust Washer	PTFE
8	Packing	PTFE
9	Gland	304
10	Handle	SS
11	Elastic gasket	304
12	Nut	A2-70
13	N/A	N/A
14	Handle Sleeve	PVC

DIMENSIONS

Size	D		L		E		H		Wt		
	in	mm	inch	mm	inch	mm	inch	mm	kg	lbs	
1/4	6.35	0.5	11.5	2	50	4	102	1.81	46	0.21	0.46
3/8	9.65	0.5	12	2	50	4	102	1.81	46	0.20	0.44
1/2	12.7	0.6	15	2.2	55	4.1	105	1.89	48	0.22	0.49
3/4	19.1	0.8	20	2.4	62	4.3	110	2.09	53	0.36	0.79
1	25.4	1	25	2.9	73	4.9	125	2.76	70	0.56	1.23
1 1/4	31.8	1.3	32	3.3	84	4.9	125	2.99	76	0.85	1.87
1 1/2	38.1	1.5	38	3.8	96	5.7	145	3.15	80	1.21	2.67
2	50.8	1.9	49	4.4	113	6.3	160	3.54	90	1.60	3.53
2 1/2	63.5	2.6	65	5.9	150	7.3	185	4.92	125	3.65	8.05
3	76.2	3.1	78	6.3	160	8.9	225	5.51	140	4.85	10.69
4	102	3.9	100	8.1	205	13	325	6.3	160	7.92	17.46



DESIGN FEATURES

- Class: 200 psi
- Pressure: ASME B 16.34
- Temperature: ASME B 16.34
- Manufacture: ASME B 16.34
- Test and Inspection: API 598
- Connection Standard: NPT

DTC reserves the right to modify specifications and/or design parameters without notice.