

## Stainless Steel Ball Valves 2000 PSI Full Port

### MATERIAL LIST

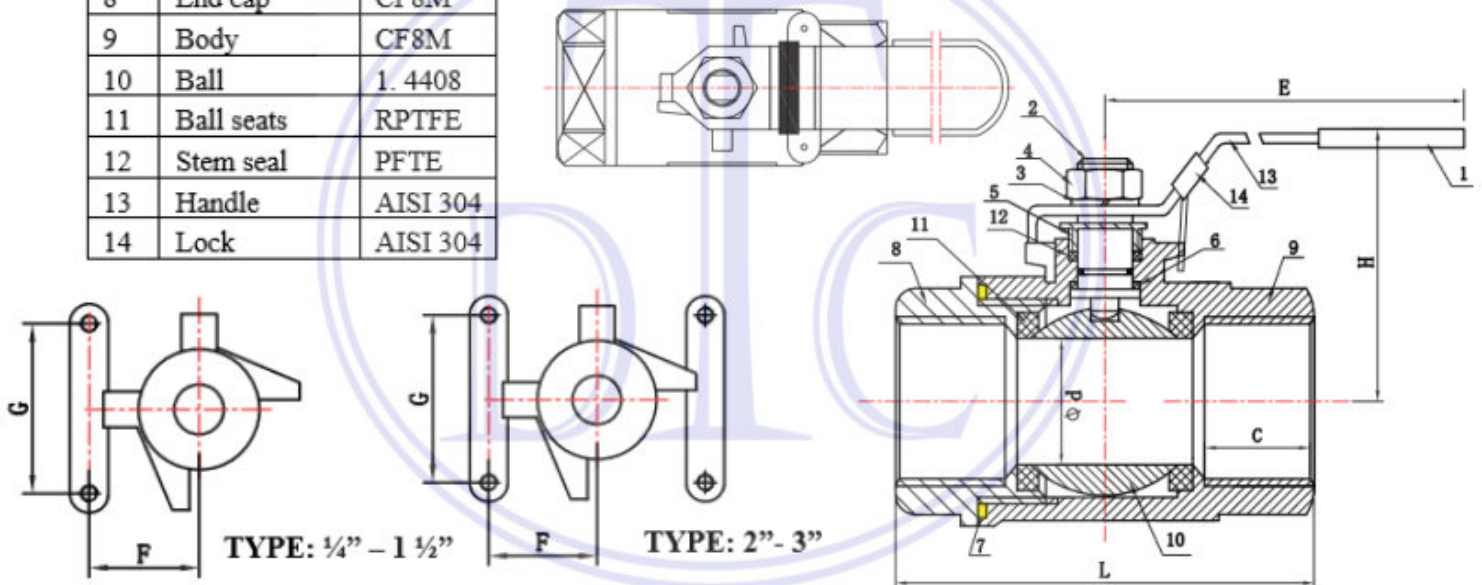
No.	Part Name	Material
1	Plastic sleeve	PVC
2	Stem	1. 4401
3	Hand washer	A2-70
4	Head nut	A2-70
5	Gland nut	AISI 304
6	Thrust washer	PTFE
7	Body seal	PTFE
8	End cap	CF8M
9	Body	CF8M
10	Ball	1. 4408
11	Ball seats	RPTFE
12	Stem seal	PFTE
13	Handle	AISI 304
14	Lock	AISI 304

### DESIGN FEATURES

- Class: 2000 PSI W.O.G. \*
- Blow-out-proof stem design
- Connection standard: NPT
- Temperature range: -4° to 374° F
- Meets NACE MR-01-75 requirements



\*2 1/2" - 3" - 1500PSI, 4" - 1000 PSI



### DIMENSIONS

Size		D		L		E		H		C		F		G		Wt	
inch	mm	inch	mm	inch	mm	inch	mm	inch	mm	inch	mm	inch	mm	inch	mm	kg	lbs
1/4	6.35	0.45	11.5	2.36	60	4.02	102	1.81	46	0.59	15	0.5	12.7	1.12	28.5	0.31	0.68
3/8	9.65	0.47	12	2.36	60	4.02	102	1.81	46	0.59	15	0.5	12.7	1.12	28.5	0.31	0.68
1/2	12.70	0.59	15	2.44	62	4.13	105	1.97	50	0.63	16	0.5	12.7	1.12	28.5	0.31	0.68
3/4	19.05	0.79	20	2.91	74	4.72	120	2.20	56	0.79	20	0.87	22.1	1.38	35	0.50	1.10
1	25.40	0.98	25	3.27	83	5.91	150	2.91	74	0.79	20	0.87	22.1	1.38	35	0.90	1.98
1 1/4	31.75	1.26	32	3.70	94	6.42	163	3.11	79	0.79	20	0.93	23.6	1.50	38	1.30	2.87
1 1/2	38.10	1.50	38	4.33	110	6.69	170	3.23	82	0.87	22	0.93	23.6	1.50	38	2.30	5.07
2	50.80	1.93	49	4.92	125	7.09	180	3.70	94	0.94	24	0.93	23.6	1.50	38	3.50	7.72
2 1/2	63.50	2.56	65	6.22	158	8.66	220	5.12	130	1.02	26	1.38	35.0	2.13	54	5.50	12.13
3	76.20	3.07	78	7.28	185	9.65	245	5.71	145	1.38	35	1.38	35.0	2.13	54	8.00	17.64
4	101.60	3.94	100	8.78	223	12.80	325	6.34	161	1.65	42	1.34	34	1.99	51	14.5	31.99

DTC reserves the right to modify specifications and/or design parameters without notice.