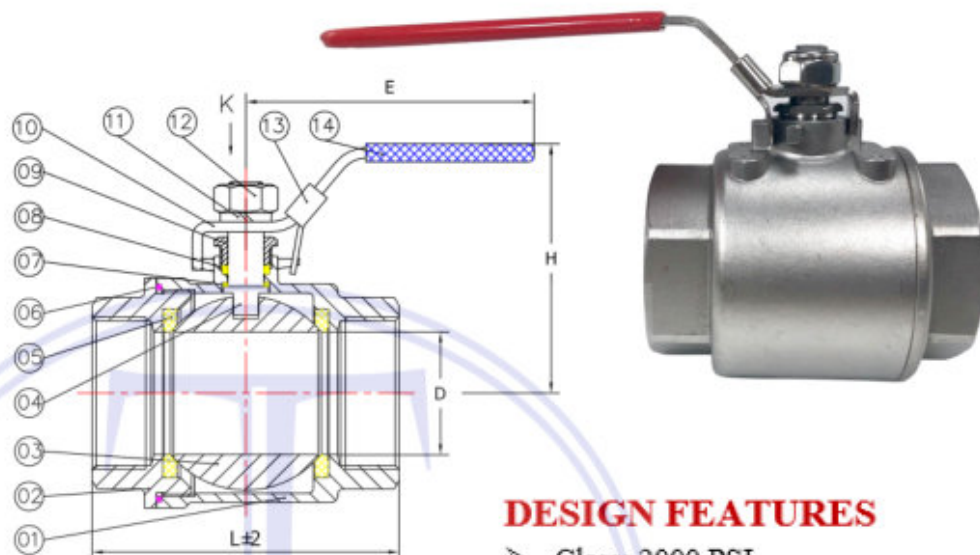


High Temperature Ball Valves 2000 PSI 316SS Body

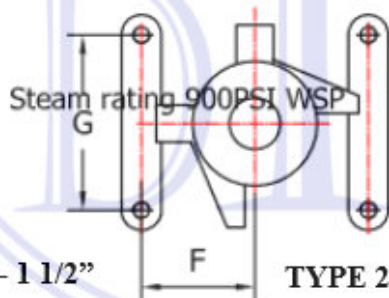
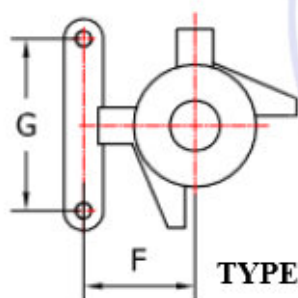
MATERIAL LIST

No.	Part Name	Material
1	Body	CF8M
2	End cap	CF8M
3	Ball	316
4	Stem	316
5	Seat	Grafoil
6	Gasket	Grafoil
7	Thrust washer	Grafoil
8	Packing	Grafoil
9	Gland	CF8
10	Handle	SS
11	Elastic gasket	SS304
12	Nut	A2-70
13	Locking pad	SS
14	Handle Sleeve	PVC



DESIGN FEATURES

- Class: 2000 PSI
- Manufacture: ASME B 16.34
- Pressure: ASME B 16.34
- Temperature: ASME B 16.34
- Connection standard: NPT
- TEST STANDARD: API 598
- Rated at 280°C (536°F)
- Steam rated at 900PSI WSP
- Temperature range: -31° to 536° F



TYPE 1: 1/4" - 1 1/2"

TYPE 2: 2" - 4"

DIMENSIONS

Size		D		L		E		H		F		G	
inch	mm	inch	mm	inch	mm	inch	mm	inch	mm	inch	mm	inch	mm
1/4	6.35	0.5	11.5	2.4	60	4	102	1.81	46	0.5	12.7	2.4	28.5
3/8	9.65	0.5	12	2.4	60	4	102	1.81	46	0.5	12.7	2.4	28.5
1/2	12.7	0.6	15	2.4	62	4.1	105	1.97	50	0.5	12.7	2.4	28.5
3/4	19.1	0.8	20	2.9	74	4.7	120	2.2	56	0.9	22.1	2.9	35.0
1	25.4	1	25	3.3	83	5.9	150	2.91	74	0.9	22.1	3.3	35.0
1 1/4	31.8	1.3	32	3.7	94	6.4	163	3.11	79	0.9	23.6	3.7	38.0
1 1/2	38.1	1.5	38	4.3	110	6.7	170	3.23	82	0.9	23.6	4.3	38.0
2	50.8	1.9	49	4.9	125	7.1	180	3.7	94	0.9	23.6	4.9	38.0
2 1/2	63.5	2.6	65	6.2	158	8.7	220	5.12	130	1.4	35.0	6.2	54.0
3	76.2	3.1	78	7.3	185	9.6	245	5.71	145	1.4	35.0	7.3	54.0
4	102	3.9	100	8.8	223	13	325	6.34	161	1.3	34.0	8.8	50.5

DTC reserves the right to modify specifications and/or design parameters without notice.