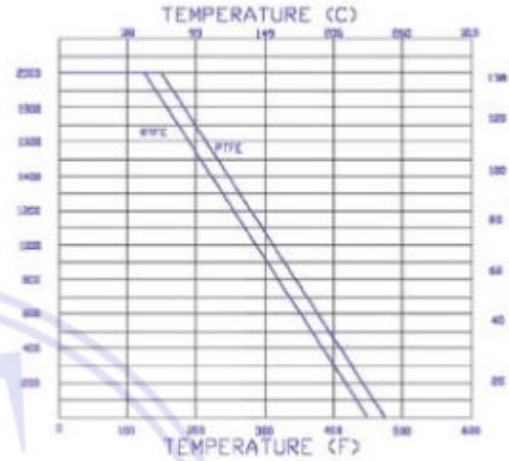
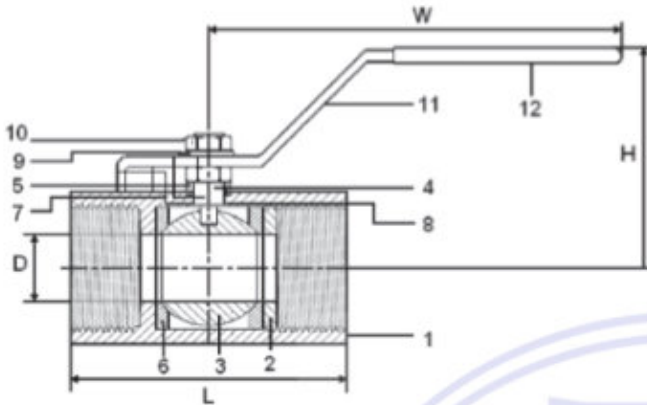


Carbon Steel Ball Valves 2000 PSI Standard Port Hex Body

PRESSURE TEMPERATURE RATINGS

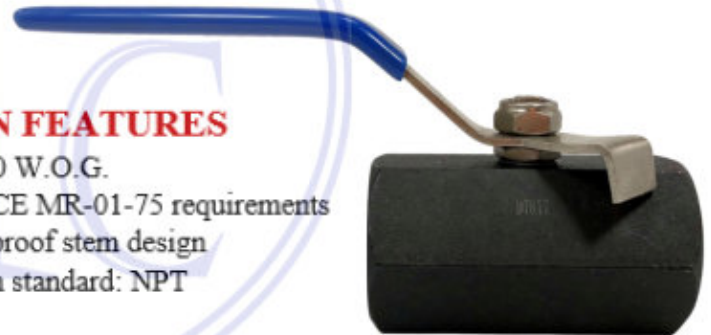


MATERIAL LIST

No.	Part Name	Material
1	Body	ASTM A108
2	Retainer	ASTM A108
3	Ball	ASTM A351-CF8M
4	Stem	ASTM A276-316
5	Gland ring	ASTM A108
6	Ball seat	PTFE
7	Thrust washer	PTFE
8	Packing	PTFE
9	Spring washer	AISI 304
10	Stem nut	AISI 304
11	Handle	AISI 304
12	Handle Sleeve	PVC

DESIGN FEATURES

- Class: 2000 W.O.G.
- Meets NACE MR-01-75 requirements
- Blow-out-proof stem design
- Connection standard: NPT



DIMENSIONS

NPS		Part No.	D		L		H		W		Wt	
inch	mm		inch	mm	inch	mm	inch	mm	inch	mm	kg	lbs
1/4	6.35	2017C02	0.2	5.08	1.86	47.24	1.12	28.45	2.4	60.96	0.16	0.35
3/8	9.65	2017C03	0.28	7.11	1.86	47.24	1.32	33.53	3.39	86.11	0.16	0.35
1/2	12.70	2017C04	0.35	8.89	2.45	62.23	2.38	60.45	4.33	109.98	0.34	0.75
3/4	19.05	2017C05	0.49	12.45	2.75	69.85	2.44	61.98	4.33	109.98	0.48	1.05
1	25.40	2017C06	0.59	14.99	3.38	85.85	2.63	66.80	4.76	120.9	0.93	2.05
1 1/4	31.75	2017C07	0.79	20.07	3.69	93.73	3.25	82.55	5.75	146.05	1.41	3.10
1 1/2	38.10	2017C08	0.98	24.89	4	101.6	3.25	82.55	5.75	146.05	1.81	4.00
2	50.80	2017C09	1.26	32.00	4.5	114.3	3.44	87.38	5.98	151.89	2.93	6.45

DTC reserves the right to modify specifications and/or design parameters without notice.