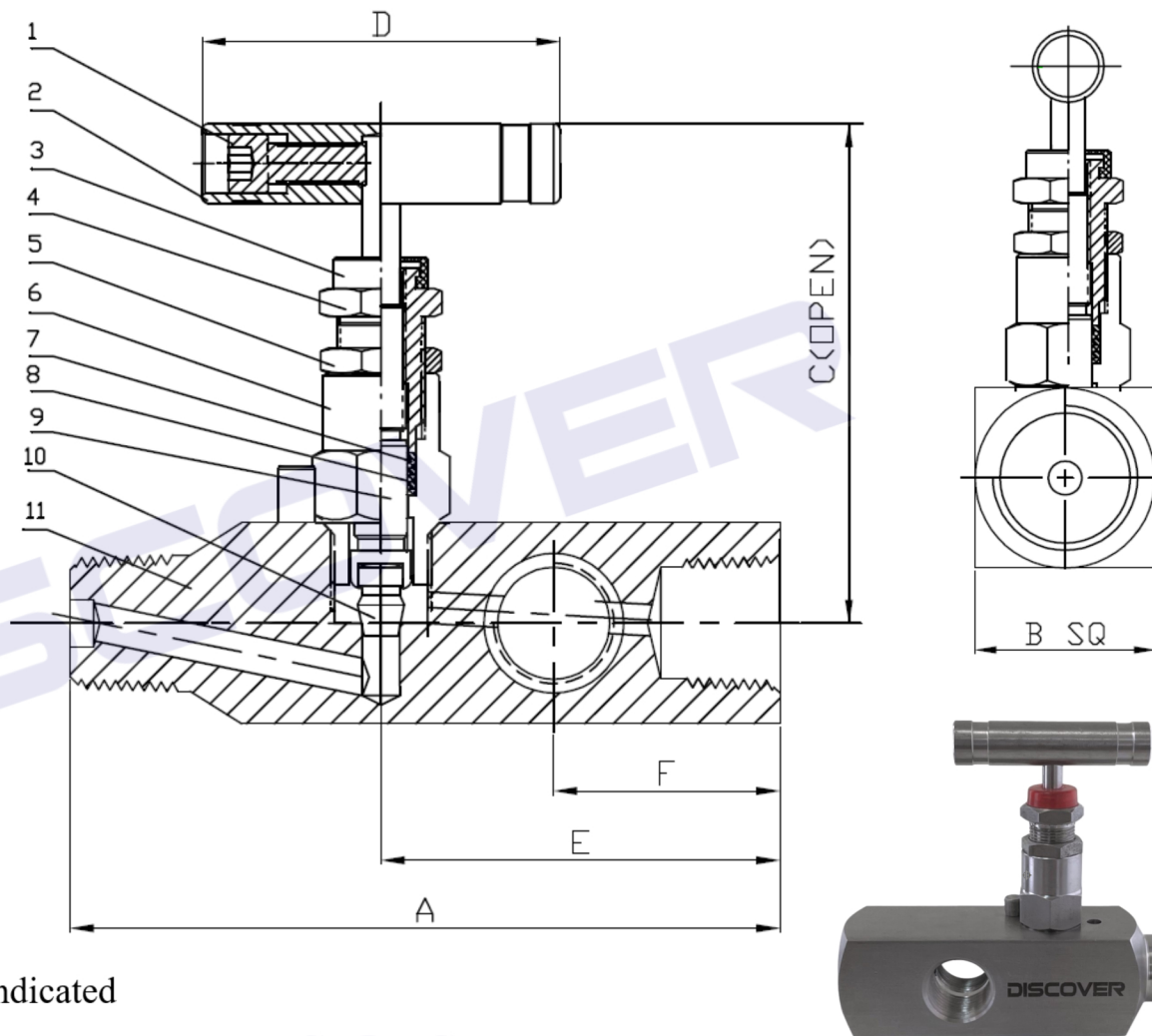


## Stainless Steel Gauge Needle Valve 10,000 PSI

### MATERIALS LIST

No.	Part Name	Material
1	Set screw	304SS
2	Handle	201
3	Dust cap	Plastic
4	Gland	316SS
5	Nut	316SS
6	Bonnet	316SS
7	Packing	PTFE
8	Packing	Viton
9	Stem	316SS
10	Tip	17-4PH
11	Body	316SS



### DESIGN FEATURES

- Class: 10,000 PSI
- Hard seat
- M x 3F Gauge Needle Valve
- Temperature range: 5°F to 338°F
- Meets NACE MR-01-75 requirements
- Bi-directional flow, with preferred flow indicated

### DIMENSIONS

Part Number	Size	A		B		C		D		E		F		CV Value
		inch	mm	inch	mm	inch	mm	inch	mm	inch	mm			
102761	1/2	4.45	113	1.26	32	3.23	82	2.24	57	2.52	64	1.42	36	0.85