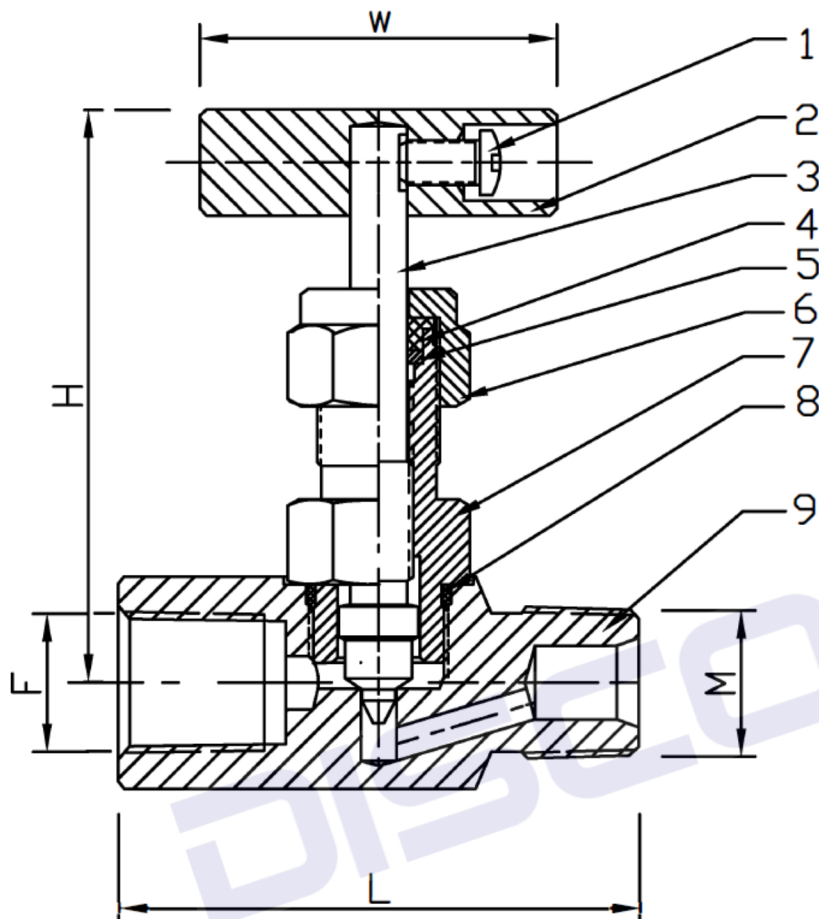


Stainless Steel Mini Needle Valve



MATERIALS LIST

No.	Part Name	Material
1	Bolt	18-8
2	Handle	18-8
3	Stem	316SS
4	Packing	PTFE
5	Gasket	316SS
6	Nut	316SS
7	Bonnet	316SS
8	O-ring	Viton
9	Body	316SS

DESIGN FEATURES

- Class: 10,000 PSI
- Hard seat
- Temperature range: 200°F MWT
- Meets NACE MR-01-75 requirements
- Bi-directional flow, with preferred flow indicated

DIMENSIONS

Size	L		H		W		Weight		CV
	inch	mm	inch	mm	inch	mm	lbs	kgs	
1/4	1.83	46	2.12	54	1.25	32	1.21	0.1	.35