

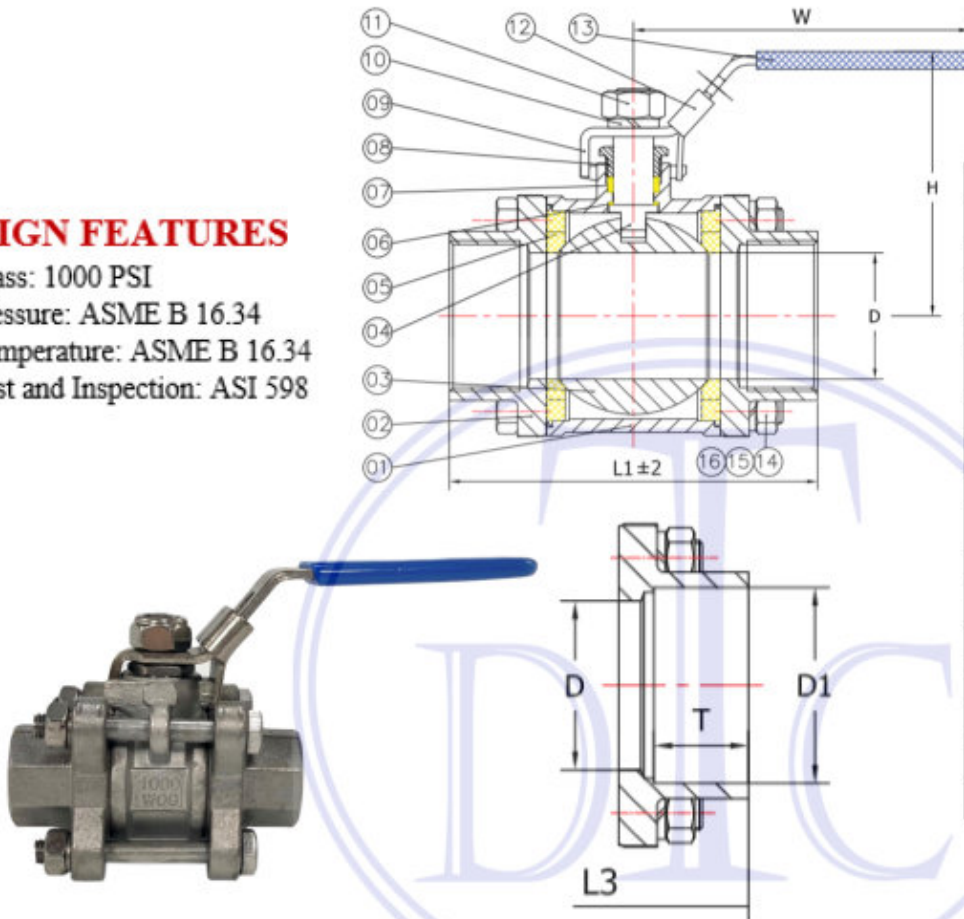
## Stainless Steel 3 Piece Ball Valve 1000 PSI Socket Weld Ends

### DESIGN FEATURES

- Class: 1000 PSI
- Pressure: ASME B 16.34
- Temperature: ASME B 16.34
- Test and Inspection: ASI 598

### MATERIAL LIST

No.	Part Name	Material
1	Body	316
2	End cap	316
3	Ball	316
4	Stem	316
5	Seat	PTFE
6	Gasket	PTFE
7	Packing	PTFE
8	Gland	304
9	Handle	SS
10	Elastic gasket	304
11	Handle nut	A2-70
12	Locking pad	SS
13	Handle sleeve	PVC
14	Nut	304
15	Elastic gasket	304
16	Bolt	304



### DIMENSIONS

Size		D		L1		L3		D1		T		H		E	
inch	mm	inch	mm	inch	mm	inch	mm	inch	mm	inch	mm	inch	mm	inch	mm
1/4	6.35	0.39	10	2.56	65	2.17	55	0.56	14	0.39	10	2.22	56.5	3.90	99
3/8	9.65	0.47	12	2.56	65	2.36	60	0.70	17.9	0.39	10	2.22	56.5	3.90	99
1/2	12.70	0.59	15	2.87	73	2.95	75	0.86	21.8	0.39	10	2.28	58	4.02	102
3/4	19.05	0.79	20	3.27	83	3.27	83	1.08	27.5	0.51	13	2.36	60	4.57	116
1	25.40	0.98	25	3.46	88	3.46	88	1.35	34.3	0.51	13	2.91	74	5.71	145
1 1/4	31.75	1.26	32	3.86	98	3.86	98	1.69	42.8	0.51	13	2.95	75	6.14	156
1 1/2	38.10	1.50	38	4.53	115	4.53	115	1.92	48.8	0.51	13	3.66	93	6.77	172
2	50.80	1.97	50	5.51	140	5.51	140	2.41	61.3	0.63	16	4.17	106	6.85	174
2 1/2	63.50	2.52	64	7.09	180	7.28	185	3.03	77	0.63	16	4.69	119	8.39	213
3	76.20	3.07	78	8.07	205	8.07	205	3.54	90	0.63	16	5.24	133	10	255
4	101.60	3.94	100	10.24	260	10.24	260	4.54	115	0.75	19	6.69	170	10	255

DTC reserves the right to modify specifications and/or design parameters without notice.