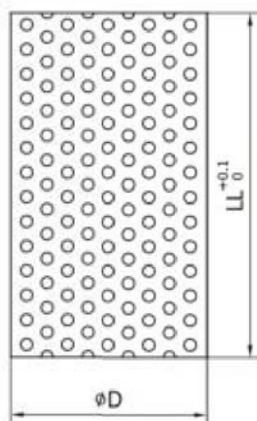
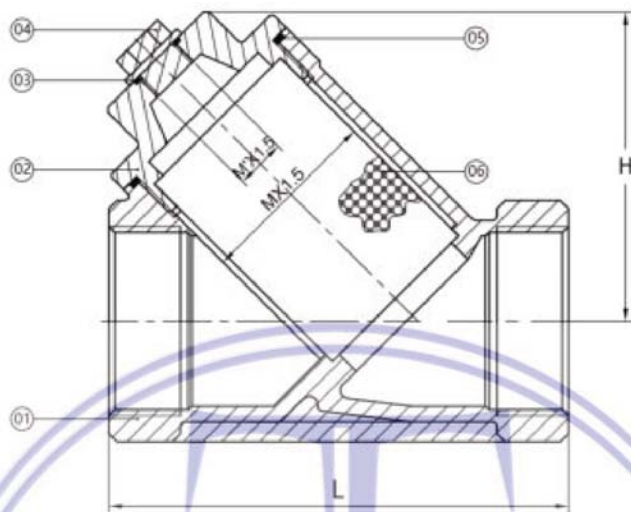


Threaded Y-Strainer Stainless Steel 316SS



DESIGN FEATURES

- Pressure: 800PSI
- End type: NPT
- Connection standard: ASME B1.20.1
- Pressure: ASME B16.34
- Temperature: ASME B16.34
- Test and Inspection: API 598

MATERIAL LIST

No.	Part Name	Material
1	Body	CF8M
2	End cap	CF8M
3	Handle nut	316
4	Filter Net 50 Mesh	316

DIMENSIONS

Size		L		H		M		M'		OD		LL	
inch	mm	inch	mm	inch	mm	inch	mm	inch	mm	inch	mm	inch	mm
1/4	6.35	2.54	64.50	1.77	45	0.94	24	0.24	6	0.75	19	1.32	33.5
3/8	9.65	2.54	64.5	1.77	45	0.94	24	0.24	6	0.75	19	1.32	33.5
1/2	12.70	2.36	60	1.59	40.50	0.94	24	0.24	6	0.75	19	1.32	33.5
3/4	19.05	3.11	79	2.17	55	1.18	30	0.24	6	0.94	24	1.50	38
1	25.40	3.31	84	2.34	59.50	1.42	36	0.31	8	1.22	31	2.05	52
1 1/4	31.75	3.88	98.5	2.60	66	1.65	42	0.31	8	1.38	35	2.09	53
1 1/2	38.10	4.61	117	3.48	88.50	1.89	48	0.39	10	1.73	44	2.38	60.5
2	50.80	5.47	139	3.74	95	2.09	53	0.39	10	2.09	53	2.99	76
2 1/2	63.50	6.59	167.5	4.45	113	2.68	68	0.47	12	2.68	68	3.62	92
3	76.20	7.52	191	5.20	132	3.19	81	0.47	12	3.19	81	4.09	104
4	101.60	9.37	238	6.46	164	4.09	104	0.47	12	4.09	104	5.55	141