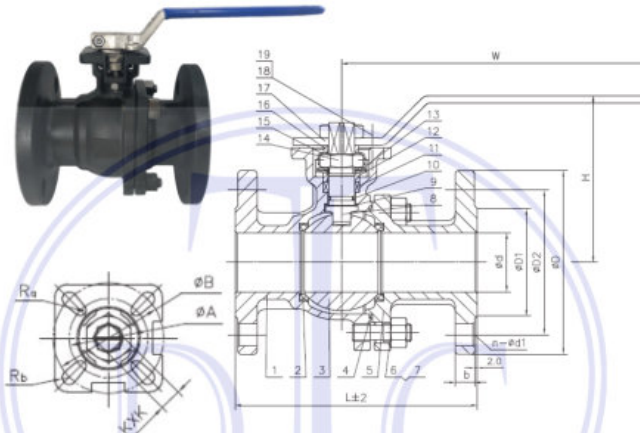


MATERIAL LIST

| No. | Part Name | Material |
|-----|-----------------|------------------------|
| 1 | Body | WCB |
| 2 | Seat | PTFE |
| 3 | Ball | 316 |
| 4 | Gasket | PTFE |
| 5 | Bonnet | WCB |
| 6 | Bolt | 304 |
| 7 | Nut | 304 |
| 8 | Stem | 316 |
| 9 | Stem washer | PTFE + 25% glass fiber |
| 10 | O-ring | FPM |
| 11 | Packing | PTFE |
| 12 | Gland | 304 |
| 13 | Disc spring | 304 |
| 14 | Nut | 304 |
| 15 | Crown washer | 304 |
| 16 | Washer | 304 |
| 17 | Handle | 201 |
| 18 | Hex socket bolt | 304 |
| 19 | Nut | 304 |

2 Piece Carbon Steel Flanged Ball Valve 150#



DESIGN FEATURES

- Class: 150 (150#) W.O.G.
- ANSI 4-bolt flanged ends
- Temperature range: -20.2° to 302° F
- Test and Inspection: API 598
- WSP = 125 PSI
- Full ISO5211 mounting pad

TORQUE

| Size | Normal | | Safety Factor | | |
|-------|--------|--------|---------------|-------|------|
| | inch | mm | Ft/Lbs | N/M | |
| 1/4 | 6.35 | 4.06 | 5.5 | 5.16 | 7 |
| 3/4 | 19.05 | 5.75 | 7.8 | 7.52 | 10.2 |
| 1 | 25.4 | 9.22 | 12.5 | 12.17 | 16.5 |
| 1 1/4 | 31.75 | 13.64 | 18.5 | 18.07 | 24.5 |
| 1 1/2 | 38.1 | 20.65 | 28 | 26.55 | 36 |
| 2 | 50.8 | 29.5 | 40 | 37.62 | 51 |
| 2 1/2 | 63.5 | 45.73 | 62 | 60.48 | 82 |
| 3 | 76.2 | 70.07 | 95 | 89.98 | 122 |
| 4 | 101.6 | 95.88 | 130 | 125.4 | 170 |
| 5 | 127 | 147.51 | 200 | 195.5 | 265 |
| 6 | 152.4 | 162.26 | 220 | 206.5 | 280 |

DIMENSIONS

| Diameter | | d | | D1 | | D2 | | D | | L | | b | | n-ød1 | | Ra | | Rb | | A | | B | | KxK | | H | | W | |
|----------|-----|------|-----|------|-----|------|-----|------|-----|------|-----|------|------|-------|-----|------|-----|------|-----|------|-----|------|-------|------|-----|------|-----|------|----|
| inch | mm | inch | mm | inch | mm | inch | mm | inch | mm | inch | mm | inch | mm | inch | mm | inch | mm | inch | mm | inch | mm | inch | mm | inch | mm | inch | mm | inch | mm |
| 1/2" | 15 | 0.6 | 15 | 1.4 | 35 | 2.4 | 60 | 3.5 | 90 | 4.3 | 108 | 0.4 | 10.5 | 4-16 | 0.1 | 3 | 0.1 | 3 | 1.4 | 36 | 1.7 | 42 | 9x9 | 3.1 | 80 | 5.5 | 140 | | |
| 3/4" | 20 | 0.8 | 20 | 1.7 | 43 | 2.8 | 70 | 3.9 | 100 | 4.6 | 117 | 0.4 | 10.5 | 4-16 | 0.1 | 3 | 0.1 | 3 | 1.4 | 36 | 1.7 | 42 | 9x9 | 3.3 | 85 | 5.5 | 140 | | |
| 1" | 25 | 1.0 | 25 | 2.0 | 51 | 3.1 | 80 | 4.3 | 110 | 5.0 | 127 | 0.4 | 10.5 | 4-16 | 0.1 | 3 | 0.1 | 3.5 | 1.7 | 42 | 2.0 | 50 | 11x11 | 3.7 | 95 | 6.3 | 160 | | |
| 1 1/4" | 32 | 1.3 | 32 | 2.5 | 64 | 3.5 | 89 | 4.5 | 115 | 5.5 | 140 | 0.4 | 11.2 | 4-16 | 0.1 | 3 | 0.1 | 3.5 | 1.7 | 42 | 2.0 | 50 | 11x11 | 4.2 | 106 | 6.3 | 160 | | |
| 1 1/2" | 40 | 1.6 | 40 | 2.9 | 73 | 3.9 | 98 | 4.9 | 125 | 6.5 | 165 | 0.5 | 12.7 | 4-16 | 0.1 | 3.5 | 0.2 | 4.5 | 2.0 | 50 | 2.8 | 70 | 14x14 | 4.4 | 112 | 7.7 | 195 | | |
| 2" | 50 | 2.0 | 50 | 3.6 | 92 | 4.8 | 121 | 5.9 | 150 | 7.0 | 178 | 0.6 | 14.3 | 4-19 | 0.1 | 3.5 | 0.2 | 4.5 | 2.0 | 50 | 2.8 | 70 | 14x14 | 4.8 | 122 | 7.7 | 195 | | |
| 2 1/2" | 65 | 2.6 | 65 | 4.1 | 105 | 5.5 | 140 | 7.1 | 180 | 7.5 | 190 | 0.6 | 15.9 | 4-19 | 0.2 | 4.5 | 0.2 | 5.5 | 2.8 | 70 | 4.0 | 102 | 17x17 | 5.7 | 145 | 10.4 | 265 | | |
| 3" | 80 | 3.1 | 80 | 5.0 | 127 | 6.0 | 152 | 7.5 | 190 | 8.0 | 203 | 0.7 | 17.5 | 4-19 | 0.2 | 4.5 | 0.2 | 5.5 | 2.8 | 70 | 4.0 | 102 | 17x17 | 6.0 | 152 | 12.6 | 320 | | |
| 4" | 100 | 3.9 | 100 | 6.2 | 157 | 7.5 | 190 | 9.1 | 230 | 9.0 | 229 | 0.9 | 22.3 | 8-19 | 0.2 | 4.5 | 0.2 | 5.5 | 2.8 | 70 | 4.0 | 102 | 17x17 | 6.8 | 172 | 12.6 | 320 | | |
| 5" | 125 | 4.9 | 125 | 7.3 | 185 | 8.5 | 216 | 10.0 | 255 | 14.0 | 356 | 0.9 | 22.3 | 8-22 | 0.2 | 5.5 | 0.3 | 6.5 | 4.0 | 102 | 4.9 | 125 | 22x22 | 8.5 | 216 | 14.6 | 370 | | |
| 6" | 150 | 5.9 | 150 | 8.5 | 216 | 9.5 | 241 | 11.0 | 280 | 15.5 | 394 | 0.9 | 23.9 | 8-22 | 0.2 | 5.5 | 0.3 | 6.5 | 4.0 | 102 | 4.9 | 125 | 27x27 | 9.6 | 243 | 19.7 | 500 | | |

DTC reserves the right to modify specifications and/or design parameters without notice.