



DISCOVER VALVE

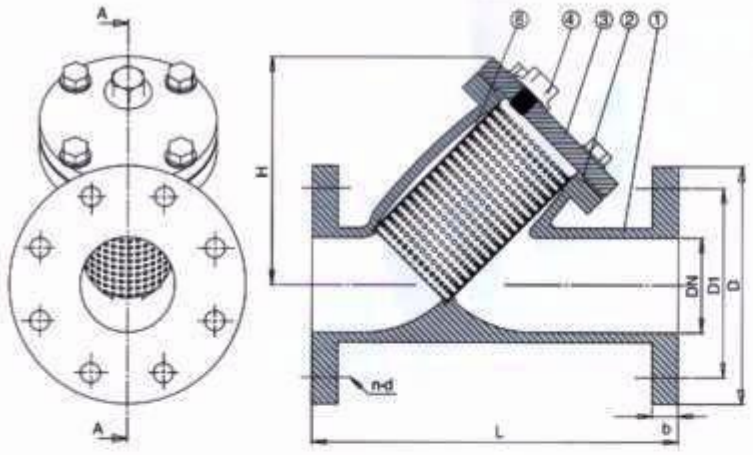
A DIVISION OF DISCOVER TRADING COMPANY INC.

10746 NORTH ARMSTRONG AVENUE, CLOVIS, CALIFORNIA 93619 – PHONE TOLL-FREE 866-9VALVE6
 FAX: 559-324-0266 EMAIL: info@discovervalve.com, HTTP://www.discovervalve.com

Y-STRAINER

SPECIAL ORDER
-click here-
TO SEND INQUIRY

ANSI Y strainer



MATERIAL SPECIFICATION

Item	Part Name	Material	Item	Part Name	Material
1	Body	A126B / A536 65-45-12	5	Bolt&nut	Galvanized flat head bolt
2	Cover Gasket	Graphite With Soft Steel			Galvanized stud bolt
		EPDM/NBR			Stainless Steel
3	Cover	A126B / A536 65-45-12	6	Screen	SS Wire Screen
4	Plug	Zinc Steel NPT			SS Perforated Mesh

Features

- Y-Pattern
- Stainless Steel Screen
- Bolted Cover
- Flanged Ends
- FBE Coated
- Product color: Blue, RAL 5017

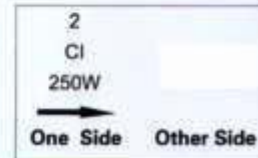
DIMENSIONS(mm)

Size	L	D	D1	b	n-d	H	Plug	W.T(kg)
1 1/2"	200.0	127	98.6	14.2	4-16	135	1/2"	6.5
2"	225.4	152	120.7	15.8	4-19	150	1/2"	9.8
2 1/2"	273.0	178	139.7	17.5	4-19	160	1/2"	12.3
3"	292.0	191	152.4	19	4-19	200	1/2"	17.0
4"	352.4	229	190.5	23.9	8-19	240	1/2"	28.1
5"	416.0	254	215.9	23.9	8-22	290	3/4"	40.0
6"	470.0	279	241.3	25.4	8-22	330	3/4"	49.0
8"	543.0	343	298.5	28.5	8-22	380	3/4"	82.3
10"	660.4	406	362	30.2	12-25	480	1"	127.3
12"	762.0	483	431.8	31.8	12-25	550	1"	200.0
14"	946.3	533	476.3	35	12-29	680	2"	320.0
16"	1079.0	597	539.8	36.6	16-29	780	2"	420.0
18"	1168	635	577.9	39.6	16-32	910	2"	620.0
20"	1275	699	635	42.9	20-32	968	2"	780.0
24"	1450	813	749.3	47.8	20-35	1160	2"	1050.0

Technical Specification

- Flanges:ANSI B16.1
- Hydraulic test to API 598
 Shell Test Pressure: 350 Psi

Artwork on valve body:



DTC reserves the right to modify specifications and/or design parameters without notice.
 Updated drawings will be provided with quotation requests if required.