



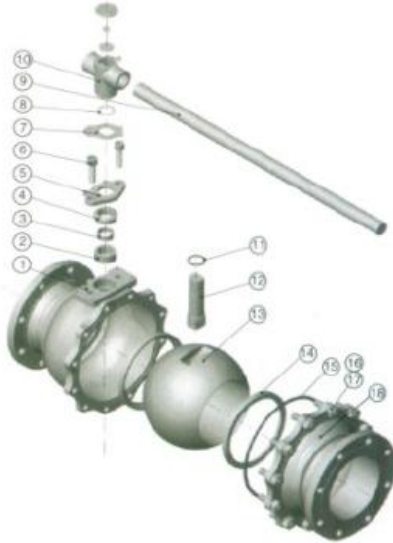
DISCOVER VALVE

A DIVISION OF DISCOVER TRADING COMPANY INC.

10746 NORTH ARMSTRONG AVENUE, CLOVIS, CALIFORNIA 93619 – PHONE TOLL-FREE 866-9VALVE6

FAX: 559-324-0266 EMAIL: info@discovervalve.com, HTTP://www.discovervalve.com

TRUNNION MOUNTED BALL VALVE



Part Name	Material (304)	Material (316)
Ball	304L	316L
Stem	304L	316L
Seat	PTFE Stainless Steel	PTFE Stainless Steel
Gasket	PTFE Stainless Steel Graphite	PTFE Stainless Steel Graphite
Packing	PTFE Enhanced Flexible Graphite	PTFE Enhanced Flexible Graphite
Gland	304L	316L

DTC reserves the right to modify specifications and/or design parameters without notice. Updated drawings will be provided with quotation requests if required.



DISCOVER VALVE

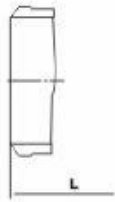
A DIVISION OF DISCOVER TRADING COMPANY INC.

10746 NORTH ARMSTRONG AVENUE, CLOVIS, CALIFORNIA 93619 – PHONE TOLL-FREE 866-9VALVE6

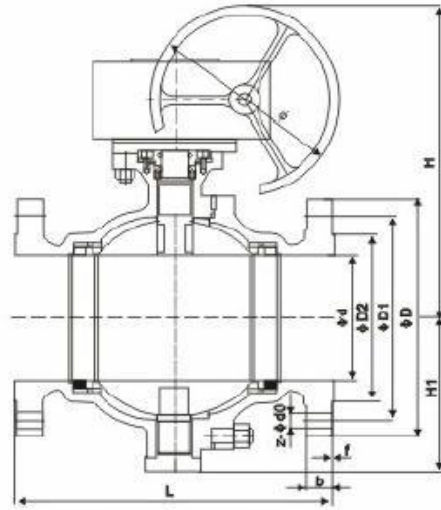
FAX: 559-324-0266 EMAIL: info@discovervalve.com, HTTP://www.discovervalve.com

TRUNNION MOUNTED BALL VALVE – CLASS 150

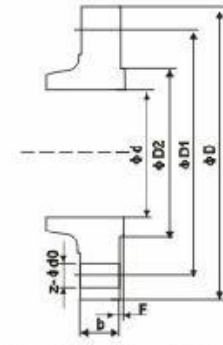
SPECIAL ORDER
-click here-
TO SEND INQUIRY



Butt-welding ends



Gear box



Class600~Class1500 flange

Pressure	Size	Dn	L		D	W		H		Weight	
			RF	RTJ		H.W	G.B	H.W	G.B	H.W	G.B
CLASS 150	1/2"	15	4.2	4.7	0.6	5.5	-	3.3	-	6.6	-
	3/4"	20	4.6	5.1	0.7	5.5	-	3.5	-	8.8	-
	1"	25	5.0	5.5	1.0	5.9	-	3.9	-	11.0	-
	1 1/4"	32	5.5	6.0	1.3	7.1	-	4.1	-	15.4	-
	1 1/2"	40	6.5	7.0	1.5	7.9	-	5.0	-	17.6	-
	2"	50	7.0	7.5	2.0	9.8	-	5.5	-	26.5	-
	2 1/2"	65	7.5	8.0	2.5	11.8	-	6.5	-	39.7	-
	3"	80	8.0	8.5	3.0	13.8	-	7.0	-	52.9	-
	4"	100	9.0	9.5	4.0	19.7	12.0	9.1	15.0	83.8	116.8
	5"	125	14.0	14.5	5.0	31.5	12.0	11.0	15.9	132.3	174.2
	6"	150	15.5	16.0	6.0	31.5	12.0	12.2	18.1	180.8	224.9
	8"	200	18.0	18.5	8.0	39.4	12.0	13.8	21.7	319.7	407.9
10"	250	21.0	21.5	10.0	-	15.7	-	27.8	-	617.3	

Dimensions in (in), weights in (lbs), H.W.=Hand Wheel, G.B.= Gear Box

DTC reserves the right to modify specifications and/or design parameters without notice.
Updated drawings will be provided with quotation requests if required.



DISCOVER VALVE

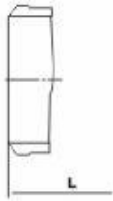
A DIVISION OF DISCOVER TRADING COMPANY INC.

10746 NORTH ARMSTRONG AVENUE, CLOVIS, CALIFORNIA 93619 – PHONE TOLL-FREE 866-9VALVE6

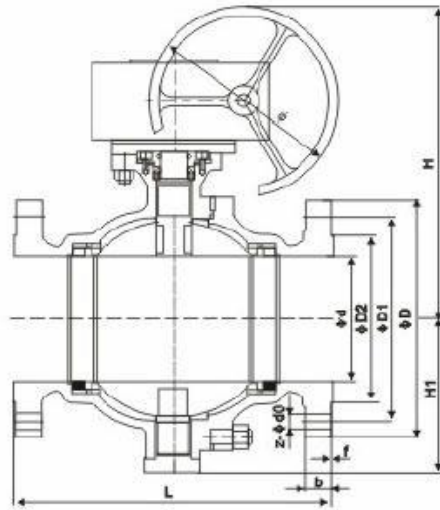
FAX: 559-324-0266 EMAIL: info@discovervalve.com, HTTP://www.discovervalve.com

TRUNNION MOUNTED BALL VALVE – CLASS 300

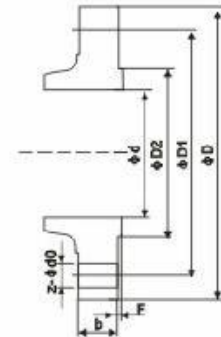
SPECIAL ORDER
-click here-
TO SEND INQUIRY



Butt-welding ends



Gear box



Class600~Class1500 flange

Pressure	Size	Dn	L		d	H	H1	W	Weight
			RF	BW					
CLASS 300	4"	100	12.0	12.0	4.0	13.4	5.5	11.8	154.3
	5"	125	15.0	15.0	5.0	14.6	6.7	11.8	209.4
	6"	150	15.9	18.0	6.0	15.8	7.6	11.8	282.2
	8"	200	19.8	20.5	8.0	19.6	9.7	11.8	515.9
	10"	250	22.4	9.0	10.0	25.8	11.9	15.7	888.5
	12"	300	25.5	25.0	12.0	25.9	13.7	15.7	1327.2
	14"	350	30.0	30.0	13.3	27.0	14.9	15.7	1770.3
	16"	400	33.0	33.0	15.2	34.6	16.9	23.6	2806.4
	18"	450	36.0	36.0	17.2	41.3	20.4	29.5	3196.6
	20"	500	39.0	39.0	19.3	43.7	21.3	29.5	3747.8
	24"	600	45.0	45.0	23.3	55.1	25.6	29.5	6834.2
	26"	650	49.0	49.0	24.9	59.1	29.5	29.5	9920.6
	28"	700	53.0	53.0	26.9	63.0	31.5	29.5	13228.0
	30"	750	55.0	55.0	28.9	67.7	33.9	29.5	16534.0
32"	800	60.0	60.0	30.7	70.9	35.4	29.5	19841.0	
36"	900	68.0	68.0	34.4	86.6	40.2	23.6	26455.0	

Dimensions in (in), weights in (lbs)

DTC reserves the right to modify specifications and/or design parameters without notice.
Updated drawings will be provided with quotation requests if required.



DISCOVER VALVE

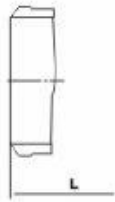
A DIVISION OF DISCOVER TRADING COMPANY INC.

10746 NORTH ARMSTRONG AVENUE, CLOVIS, CALIFORNIA 93619 – PHONE TOLL-FREE 866-9VALVE6

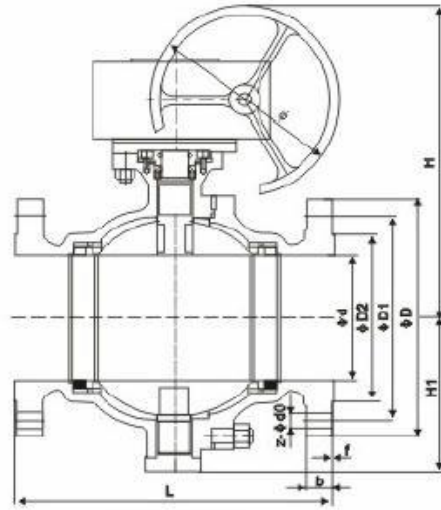
FAX: 559-324-0266 EMAIL: info@discovervalve.com, HTTP://www.discovervalve.com

TRUNNION MOUNTED BALL VALVE – CLASS 600

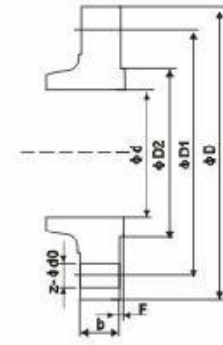
SPECIAL ORDER
-click here-
TO SEND INQUIRY



Butt-welding ends



Gear box



Class600-1500 flange

Pressure	Size	Dn	L		d	H	H1	W	Weight
			RF	BW					
CLASS 600	2"	50	11.5	11.6	2.0	9.4	3.7	11.8	70.5
	2 1/2"	65	13.0	13.1	2.5	11.4	4.5	11.8	103.6
	3"	80	14.0	14.1	3.0	13.4	5.5	11.8	149.9
	4"	100	17.0	17.1	4.0	14.1	6.0	11.8	233.7
	5"	125	20.0	20.1	5.0	15.7	7.1	11.8	374.8
	6"	150	22.0	22.1	6.0	17.5	8.2	15.7	531.3
	8"	200	26.0	26.1	8.0	19.6	10.4	15.7	978.8
	10"	250	31.0	30.1	10.0	25.7	12.3	15.7	1472.7
	12"	300	33.0	33.1	12.0	26.2	13.9	19.7	2314.8
	14"	350	35.0	35.1	13.2	29.1	15.3	23.6	2903.4
	16"	400	39.0	39.1	15.2	36.2	17.3	29.5	3968.3
	18"	450	43.0	43.1	17.2	43.3	20.9	29.5	5291.0
	20"	500	47.0	47.2	19.2	47.2	22.0	29.5	6613.8
	24"	600	55.0	55.4	21.2	58.3	22.4	29.5	11905.0

Dimensions in (in), weights in (lbs)

DTC reserves the right to modify specifications and/or design parameters without notice.
Updated drawings will be provided with quotation requests if required.



DISCOVER VALVE

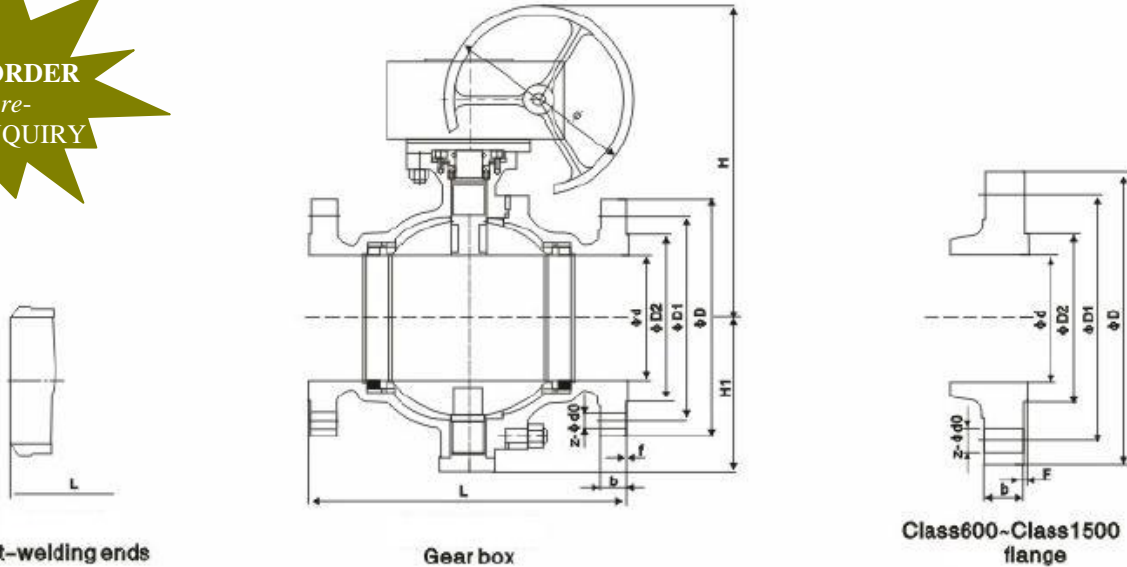
A DIVISION OF DISCOVER TRADING COMPANY INC.

10746 NORTH ARMSTRONG AVENUE, CLOVIS, CALIFORNIA 93619 – PHONE TOLL-FREE 866-9VALVE6

FAX: 559-324-0266 EMAIL: info@discovervalve.com, HTTP://www.discovervalve.com

TRUNNION MOUNTED BALL VALVE – CLASS 900

SPECIAL ORDER
-click here-
TO SEND INQUIRY



Pressure	Size	Dn	L		d	H	H1	W	Weight
			RF	BW					
CLASS 900	2"	50	14.5	14.6	2.0	9.8	3.9	11.8	99.0
	2 1/2"	65	16.5	16.6	2.5	11.8	4.7	11.8	121.3
	3"	80	15.0	15.1	3.0	13.6	5.5	11.8	207.2
	4"	100	18.0	18.1	4.0	16.3	6.4	11.8	310.9
	5"	125	22.0	22.1	5.0	17.6	7.4	11.8	507.1
	6"	150	24.0	24.1	6.0	18.8	8.4	15.7	716.5
	8"	200	29.0	29.1	8.0	20.5	10.6	15.7	1278.7
	10"	250	33.0	33.1	10.0	24.7	12.8	15.7	1873.9
	12"	300	38.0	38.1	12.0	26.8	14.2	19.7	2932.1
	14"	350	40.5	40.9	12.8	29.5	15.7	23.6	3659.6
16"	400	44.5	44.9	14.7	37.0	18.1	29.5	5026.5	

Dimensions in (in), weights in (lbs)

DTC reserves the right to modify specifications and/or design parameters without notice.
 Updated drawings will be provided with quotation requests if required.



DISCOVER VALVE

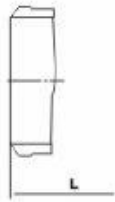
A DIVISION OF DISCOVER TRADING COMPANY INC.

10746 NORTH ARMSTRONG AVENUE, CLOVIS, CALIFORNIA 93619 – PHONE TOLL-FREE 866-9VALVE6

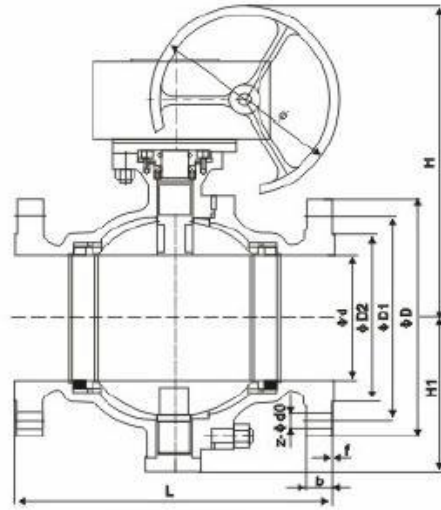
FAX: 559-324-0266 EMAIL: info@discovervalve.com, HTTP://www.discovervalve.com

TRUNNION MOUNTED BALL VALVE – CLASS 1500

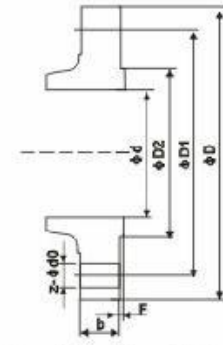
SPECIAL ORDER
-click here-
TO SEND INQUIRY



Butt-welding ends



Gear box



Class600~Class1500 flange

Pressure	Size	Dn	L		d	H	H1	W	Weight
			RF	BW					
CLASS 1500	1 ½"	40	12.0	12.0	1.5	11.0	3.9	11.8	97.0
	2"	50	14.5	14.6	2.0	12.6	4.4	11.8	147.7
	2 ½"	65	16.5	16.6	2.5	13.4	4.9	11.8	176.4
	3"	80	18.5	18.6	3.0	15.2	5.4	11.8	286.6
	4"	100	21.5	21.6	15.8	16.3	6.7	11.8	423.3
	5"	125	26.5	26.6	4.9	18.9	7.9	15.7	738.6
	6"	150	27.8	28.0	5.7	22.8	8.7	15.7	1047.2
	8"	200	32.8	33.1	7.6	23.0	11.0	15.7	1873.9
	10"	250	39.0	39.4	9.4	25.6	13.4	19.7	2910.1
12"	300	44.5	45.1	11.3	27.6	14.6	23.6	4519.4	

Dimensions in (in), weights in (lbs)

DTC reserves the right to modify specifications and/or design parameters without notice.
Updated drawings will be provided with quotation requests if required.



DISCOVER VALVE

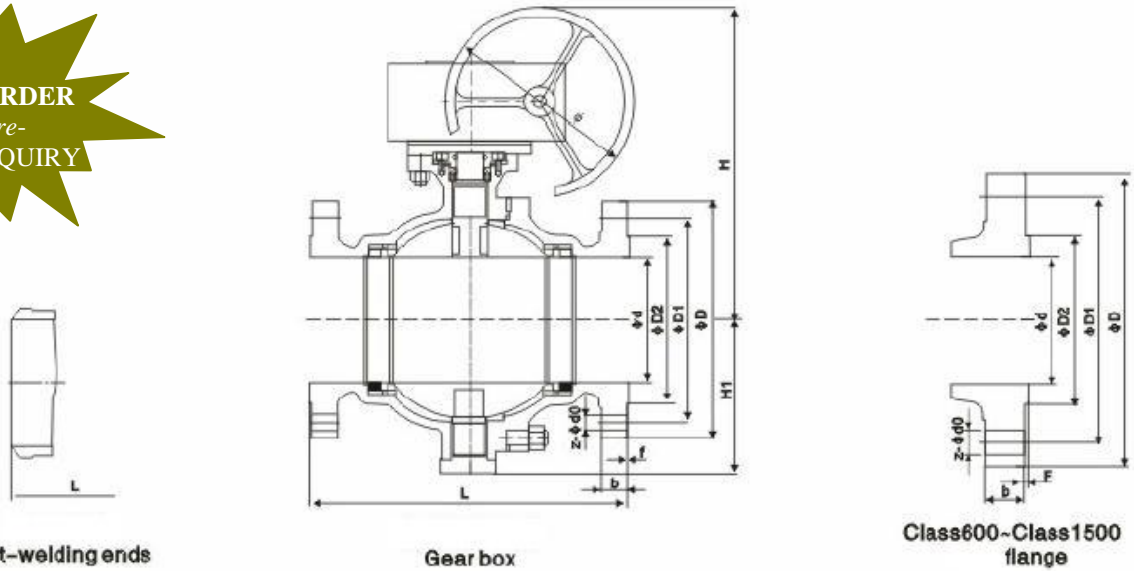
A DIVISION OF DISCOVER TRADING COMPANY INC.

10746 NORTH ARMSTRONG AVENUE, CLOVIS, CALIFORNIA 93619 – PHONE TOLL-FREE 866-9VALVE6

FAX: 559-324-0266 EMAIL: info@discovervalve.com, HTTP://www.discovervalve.com

TRUNNION MOUNTED BALL VALVE – CLASS 2500

SPECIAL ORDER
-click here-
TO SEND INQUIRY



Butt-welding ends

Gear box

Class600~Class1500 flange

Pressure	Size	Dn	L		d	H	H1	W	Weight
			RF	BW					
CLASS 2500	1 ½"	40	15.1	15.2	1.5	11.4	4.1	11.8	158.7
	2"	50	17.8	17.9	1.7	12.6	4.7	11.8	229.3
	2 ½"	65	20.0	20.2	2.0	13.8	5.1	11.8	308.6
	3"	80	22.8	23.0	2.4	15.7	5.9	11.8	445.3
	4"	100	26.5	26.9	3.4	16.7	7.1	15.7	672.4
	5"	125	31.3	31.8	3.9	19.7	8.3	15.7	1168.4
	6"	150	36.0	36.5	5.2	23.2	9.1	19.7	1675.5
	8"	200	40.2	40.9	7.0	24.0	11.4	19.7	2645.5
10"	250	50.0	50.9	8.8	26.0	13.8	23.6	4585.5	

Dimensions in (in), weights in (lbs)

DTC reserves the right to modify specifications and/or design parameters without notice.
Updated drawings will be provided with quotation requests if required.