



DISCOVER VALVE

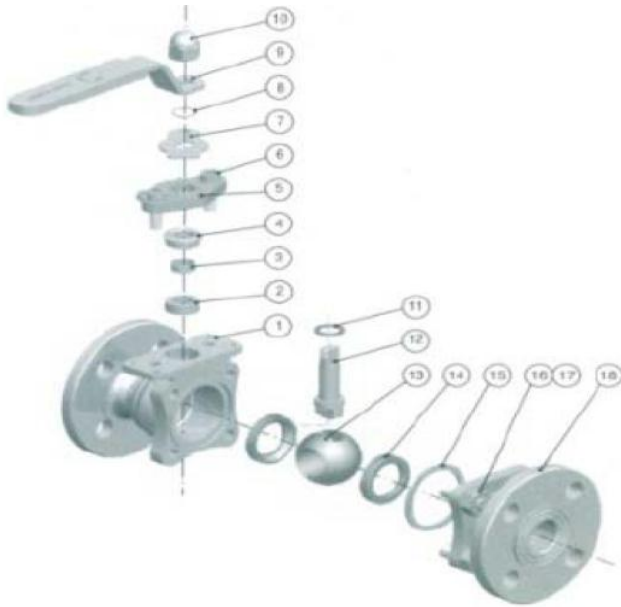
A DIVISION OF DISCOVER TRADING COMPANY INC.

10746 NORTH ARMSTRONG AVENUE, CLOVIS, CALIFORNIA 93619 – PHONE TOLL-FREE 866-9VALVE6

FAX: 559-324-0266 EMAIL: info@discovervalve.com, HTTP://www.discovervalve.com

SPECIAL ORDER
-click here-
TO SEND INQUIRY

FLOATING BALL BALL VALVES



Part Name	Material (304)	Material (316)
Ball	304L	316L
Stem	304L	316L
Seat	PTFE / Stainless Steel	PTFE / Stainless Steel
Gasket	PTFE / Stainless Steel Graphite	PTFE / Stainless Steel Graphite
Packing	PTFE / Enhanced Flexible Graphite	PTFE / Enhanced Flexible Graphite
Gland	304L	316L

DTC reserves the right to modify specifications and/or design parameters without notice.
Updated drawings will be provided with quotation requests if required.



DISCOVER VALVE

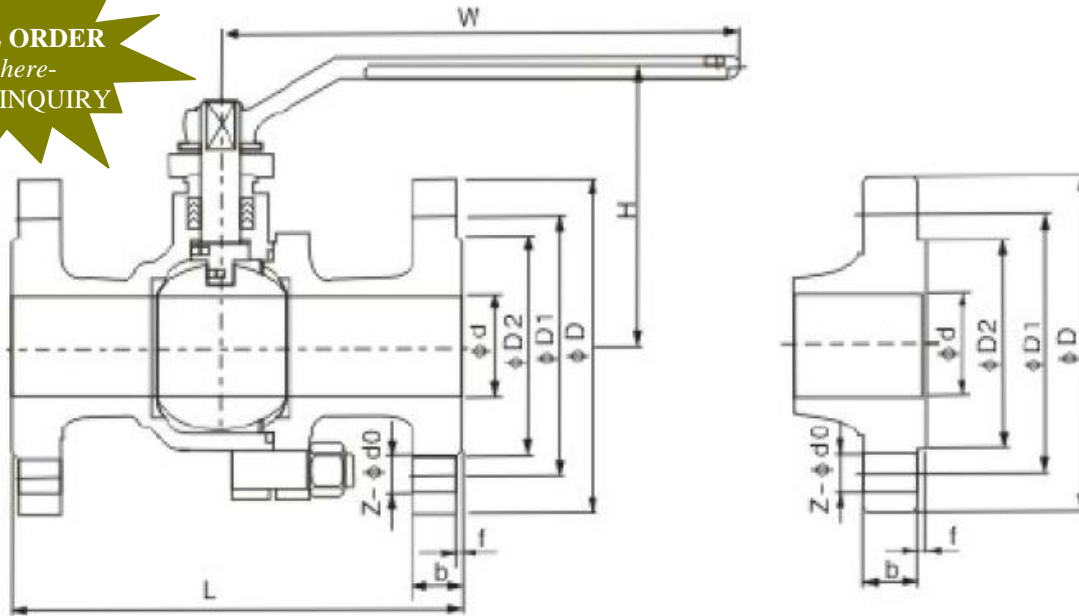
A DIVISION OF DISCOVER TRADING COMPANY INC.

10746 NORTH ARMSTRONG AVENUE, CLOVIS, CALIFORNIA 93619 – PHONE TOLL-FREE 866-9VALVE6

FAX: 559-324-0266 EMAIL: info@discovervalve.com, HTTP://www.discovervalve.com

FLOATING BALL BALL VALVE – CLASS 150

SPECIAL ORDER
-click here-
TO SEND INQUIRY



Hand wheel

Class600~Class1500 flange

Pressure	Size	Dn	L		D	W		H		Weight	
			RF	RTJ		H.W	G.B	H.W	G.B	H.W	G.B
CLASS 150	1/2"	15	4.2	4.7	0.6	5.5	-	3.3	-	6.6	-
	3/4"	20	4.6	5.1	0.7	5.5	-	3.5	-	8.8	-
	1"	25	5.0	5.5	1.0	5.9	-	3.9	-	11.0	-
	1 1/4"	32	5.5	6.0	1.3	7.1	-	4.1	-	15.4	-
	1 1/2"	40	6.5	7.0	1.5	7.9	-	5.0	-	17.6	-
	2"	50	7.0	7.5	2.0	9.8	-	5.5	-	26.5	-
	2 1/2"	65	7.5	8.0	2.5	11.8	-	6.5	-	39.7	-
	3"	80	8.0	8.5	3.0	13.8	-	7.0	-	52.9	-
	4"	100	9.0	9.5	4.0	19.7	12.0	9.1	15.0	83.8	116.8
	5"	125	14.0	14.5	5.0	31.5	12.0	11.0	15.9	132.3	174.2
	6"	150	15.5	16.0	6.0	31.5	12.0	12.2	18.1	180.8	224.9
8"	200	18.0	18.5	8.0	39.4	12.0	13.8	21.7	319.7	407.9	
10"	250	21.0	21.5	10.0	-	15.7	-	27.8	-	617.3	

Dimensions in (in), weights in (lbs), H.W.=Hand Wheel, G.B.= Gear Box

DTC reserves the right to modify specifications and/or design parameters without notice.
Updated drawings will be provided with quotation requests if required.



DISCOVER VALVE

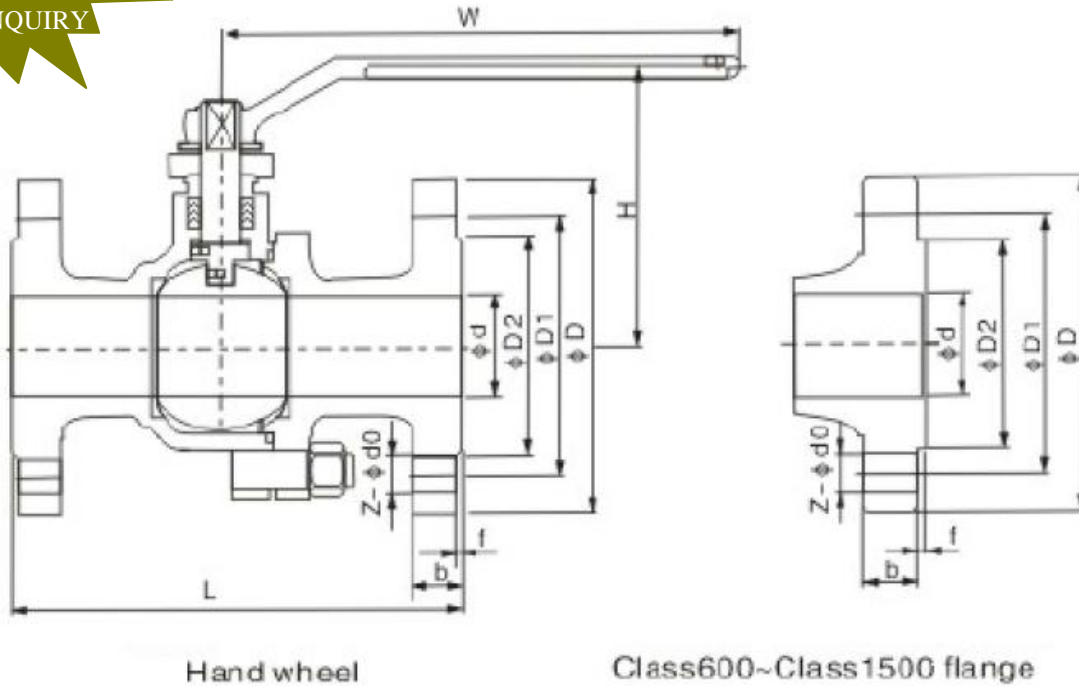
A DIVISION OF DISCOVER TRADING COMPANY INC.

10746 NORTH ARMSTRONG AVENUE, CLOVIS, CALIFORNIA 93619 – PHONE TOLL-FREE 866-9VALVE6

FAX: 559-324-0266 EMAIL: info@discovervalve.com, HTTP://www.discovervalve.com

FLOATING BALL BALL VALVE – CLASS 300

SPECIAL ORDER
-click here-
TO SEND INQUIRY



Hand wheel

Class600~Class1500 flange

Pressure	Size	Dn	L		D	W		H		Weight	
			RF	RTJ		H.W	G.B	H.W	G.B	H.W	G.B
CLASS 300	1/2"	15	5.5	5.9	0.6	5.5	5.5	3.3	3.3	6.6	-
	3/4"	20	6.0	6.5	0.7	5.5	5.5	3.5	3.5	11.0	-
	1"	25	6.5	7.0	1.0	5.9	5.9	3.9	3.9	13.2	-
	1 1/4"	32	7.0	7.5	1.3	7.1	7.1	4.1	4.1	17.6	-
	1 1/2"	40	7.5	8.0	1.5	7.9	7.9	5.0	5.0	24.3	-
	2"	50	8.5	9.1	2.0	9.8	9.8	5.5	5.5	35.3	-
	2 1/2"	65	9.5	10.1	2.5	11.8	11.8	6.5	6.5	52.9	-
	3"	80	11.1	11.8	3.0	13.8	13.8	7.0	7.0	75.0	114.6
	4"	100	12.0	12.6	4.0	19.7	19.7	9.1	9.1	123.5	167.6
	5"	125	15.0	15.6	5.0	31.5	31.5	11.0	11.0	189.6	273.4
6"	150	15.9	16.5	6.0	31.5	31.5	12.2	12.2	275.6	359.4	
8"	200	19.8	20.4	8.0	39.4	39.4	13.8	13.8	489.4	588.6	

Dimensions in (in), weights in (lbs), H.W.=Hand Wheel, G.B.= Gear Box

DTC reserves the right to modify specifications and/or design parameters without notice.
Updated drawings will be provided with quotation requests if required.



DISCOVER VALVE

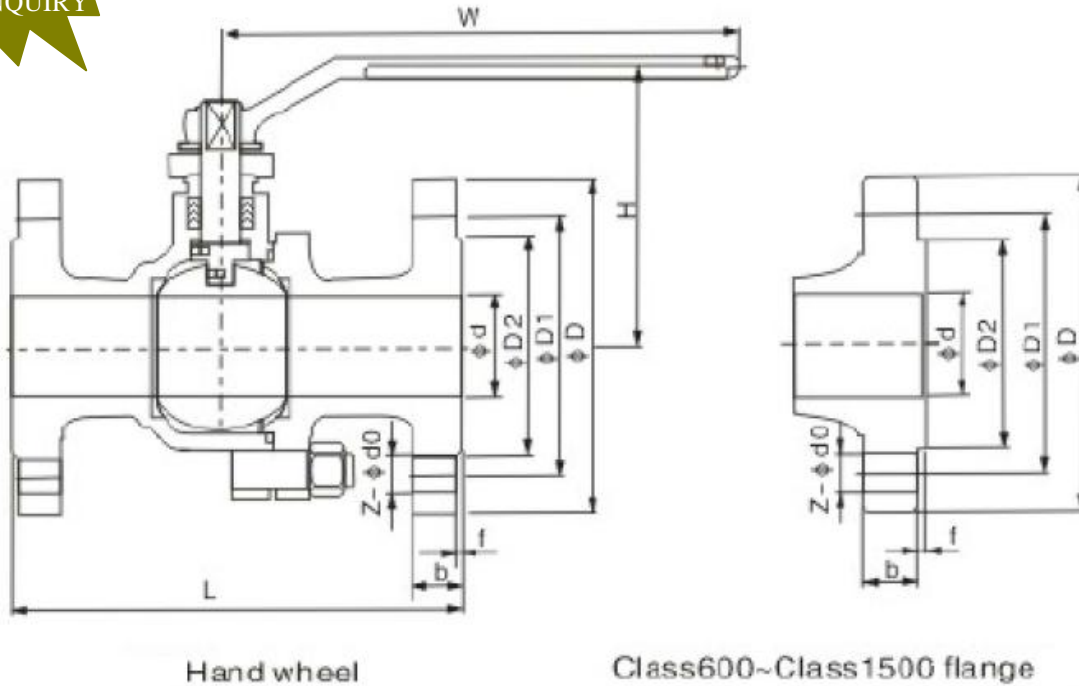
A DIVISION OF DISCOVER TRADING COMPANY INC.

10746 NORTH ARMSTRONG AVENUE, CLOVIS, CALIFORNIA 93619 – PHONE TOLL-FREE 866-9VALVE6

FAX: 559-324-0266 EMAIL: info@discovervalve.com, HTTP://www.discovervalve.com

FLOATING BALL BALL VALVE – CLASS 600

SPECIAL ORDER
-click here-
TO SEND INQUIRY



Hand wheel

Class600~Class1500 flange

Pressure	Size	Dn	L		D	W		H		Weight	
			RF	RTJ		H.W	G.B	H.W	G.B	H.W	G.B
CLASS 600	1/2"	15	6.5	6.5	0.6	5.5	-	3.1	-	11.0	-
	3/4"	20	7.5	7.5	0.7	5.5	-	3.3	-	15.4	-
	1"	25	8.5	8.5	1.0	7.9	-	4.5	-	19.8	-
	1 1/4"	32	9.0	9.0	1.3	7.9	-	4.7	-	28.7	-
	1 1/2"	40	9.5	9.5	1.5	9.8	-	4.9	-	37.5	-
	2"	50	11.5	11.6	2.0	11.8	-	6.1	-	55.1	-
	2 1/2"	65	13.0	13.1	2.5	13.8	-	6.8	-	92.6	-
	3"	80	14.0	14.1	3.0	19.7	12.0	8.7	14.6	123.5	167.6
4"	100	17.0	17.1	4.0	25.6	12.0	9.8	15.7	187.4	271.2	

Dimensions in (in), weights in (lbs), H.W.=Hand Wheel, G.B.= Gear Box

DTC reserves the right to modify specifications and/or design parameters without notice.
Updated drawings will be provided with quotation requests if required.



DISCOVER VALVE

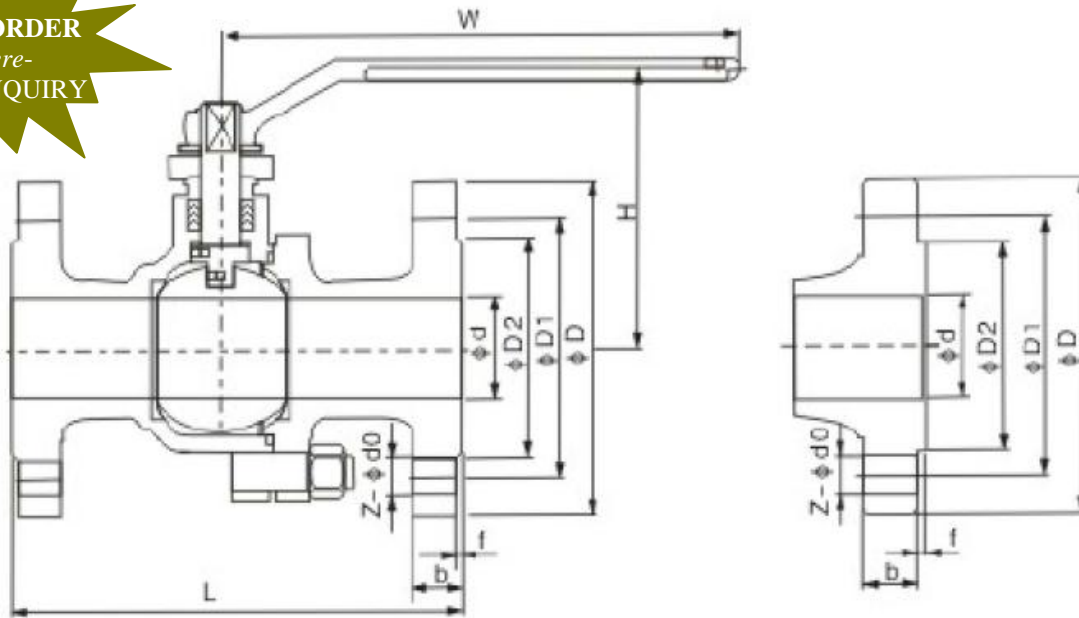
A DIVISION OF DISCOVER TRADING COMPANY INC.

10746 NORTH ARMSTRONG AVENUE, CLOVIS, CALIFORNIA 93619 – PHONE TOLL-FREE 866-9VALVE6

FAX: 559-324-0266 EMAIL: info@discovervalve.com, HTTP://www.discovervalve.com

FLOATING BALL BALL VALVE – CLASS 900/1500

SPECIAL ORDER
-click here-
TO SEND INQUIRY



Hand wheel

Class600~Class1500 flange

Pressure	Size	Dn	L		D	W		H		Weight	
			RF	RTJ		H.W	G.B	H.W	G.B	H.W	G.B
CLASS 900	1/2"	15	0.6	8.5	0.6	5.9	-	3.9	-	15.4	-
	3/4"	20	0.9	9.0	0.9	5.9	-	4.1	-	28.7	-
	1"	25	1.0	10.0	1.0	7.9	-	4.3	-	35.3	-
	1 1/4"	32	1.3	11.0	1.3	9.8	-	4.7	-	52.9	-
	1 1/2"	40	1.6	12.0	1.5	9.8	-	4.9	-	68.3	-
	2"	50	2.0	14.6	2.0	13.8	-	6.3	-	99.2	-
CLASS 1500	1/2"	15	8.5	8.5	0.6	7.2	-	3.9	-	22.0	-
	3/4"	20	9.0	9.0	0.9	7.9	-	4.1	-	30.9	-
	1"	25	10.0	10.0	1.0	9.8	-	4.3	-	37.5	-
	1 1/4"	32	11.0	11.0	1.3	11.8	-	4.7	-	55.1	-
	1 1/2"	40	12.0	12.0	1.5	13.8	-	5.1	-	72.8	-
	2"	50	14.5	14.6	2.0	19.7	-	6.3	-	105.8	-

Dimensions in (in), weights in (lbs), H.W.=Hand Wheel, G.B.= Gear Box

DTC reserves the right to modify specifications and/or design parameters without notice.
Updated drawings will be provided with quotation requests if required.