



# DISCOVER VALVE

A DIVISION OF DISCOVER TRADING COMPANY INC.

10746 NORTH ARMSTRONG AVENUE, CLOVIS, CALIFORNIA 93619 – PHONE TOLL-FREE 866-9VALVE6

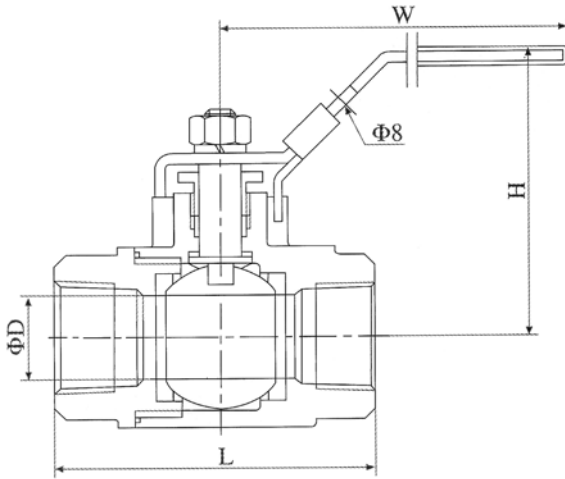
FAX: 559-324-0266 EMAIL: info@discovervalve.com, HTTP://www.discovervalve.com

## STAINLESS STEEL BALL VALVES

“SEAL-WELDED”

WORKING PRESSURE: 1000PSI-2000PSI - TEMPERATURE RANGE: -60°F TO 675°F

AVAILABLE WITH OR WITHOUT LOCK



THE TAILPIECE IS  
“PERMANENTLY WELDED”  
TO THE BODY

Part Name	Material
Body	AISI 316/CF8M
Ball	AISI 316/CF8M
Ball Seat	RPTFE
Joint Gasket	RPTFE
Body Cap	AISI 316/CF8M
Stem	AISI 316/CF8M
Thrust Washer	PTFE
Stem Packing	PTFE
Gland Nut	AISI 304
Handle	AISI 304
Stem Washer	AISI 304
Nut	AISI 304
Handle Cover	Plastic

Size	D	L	H	W	Weight
1/4"	0.25	2.2	1.9	4.7	0.7
3/8"	0.38	2.2	1.9	4.7	0.7
1/2"	0.50	2.5	2.0	4.7	0.8
3/4"	0.75	3.0	2.3	5.1	1.4
1"	1.00	3.5	2.8	6.1	2.3
1 1/4"	1.25	3.9	3.1	6.1	3.4
1 1/2"	1.50	4.6	3.5	7.3	4.9
2"	2.00	5.4	3.8	7.3	8.3
2 1/2"	2.50	6.4	5.9	11.0	12.8
3"	3.00	7.5	6.3	11.0	26.3

1000PSI Dimensions (in), (lbs)

DTC reserves the right to modify specifications and/or design parameters without notice.  
Updated drawings will be provided with quotation requests if required.