



DISCOVER VALVE

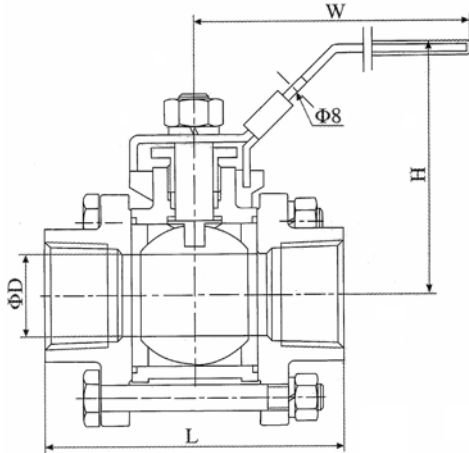
A DIVISION OF DISCOVER TRADING COMPANY INC.

10746 NORTH ARMSTRONG AVENUE, CLOVIS, CALIFORNIA 93619 – PHONE TOLL-FREE 866-9VALVE6

FAX: 559-324-0266 EMAIL: info@discovervalve.com, HTTP://www.discovervalve.com

STAINLESS STEEL BALL VALVES 3-PIECE FULL PORT

WORKING PRESSURE: 1000PSI-2000PSI - TEMPERATURE RANGE: -60°F TO 675°F
AVAILABLE WITH OR WITHOUT OPTIONAL LOCK



Part Name	Material
Body	AISI 316/CF8M
Seat	PTFE
Body Cap	AISI 316/CF8M
Ball	AISI 316/CF8M
Stem	AISI 316/CF8M
Bolt Nut	AISI 304
Bolt Washer	AISI 304
Handle Cover	Plastic
Handle	AISI 304
Nut	AISI 304
Stem Washer	AISI 304
Gland Nut	AISI 304
Stem Packing	PTFE
Thrust Washer	PTFE
Joint Gasket	PTFE
Bolt	AISI 304

Size	D	L	H	W	Weight
1/4"	0.25	2.6	1.9	4.7	0.9
3/8"	0.38	2.6	1.9	4.7	0.9
1/2"	0.50	2.6	2.1	4.7	1.3
3/4"	0.75	3.2	2.2	5.1	1.9
1"	1.00	3.6	2.8	6.1	2.7
1 1/4"	1.25	4.3	3.1	6.1	4.6
1 1/2"	1.50	5.1	3.2	7.3	6.3
2"	2.00	5.8	3.8	7.3	9.8
2 1/2"	2.50	6.9	5.9	11	15.7
3"	3.00	8.1	6.3	11	28.0
4"	4.00	8.9	7.1	12.6	40.1

Dimensions in (in), weights in (lbs)

DTC reserves the right to modify specifications and/or design parameters without notice.
Updated drawings will be provided with quotation requests if required.