



DISCOVER VALVE

A DIVISION OF DISCOVER TRADING COMPANY INC.

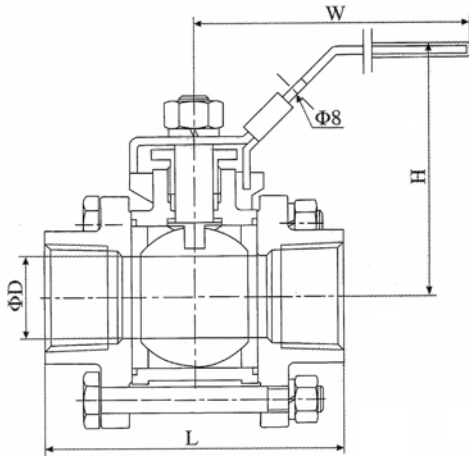
10746 NORTH ARMSTRONG AVENUE, CLOVIS, CALIFORNIA 93619 – PHONE TOLL-FREE 866-9VALVE6

FAX: 559-324-0266 EMAIL: info@discovervalve.com, HTTP://www.discovervalve.com

STAINLESS STEEL BALL VALVES

3-PIECE FULL-PORT CRYOGENIC DESIGN

WORKING PRESSURE: 300PSI - TEMPERATURE RANGE: CRYOGENIC USE



Part Name	Material
Body	SS 316/CF8M
Seat	PTFE
Body Cap	SS 316/CF8M
Ball	SS 316/CF8M
Stem	SS 316/CF8M
Stem Extension	SS 316/CF8M
Bolt Nut	SS 304
Bolt Washer	SS 304
Handle Cover	Plastic
Handle	SS 304
Nut	SS 304
Stem Washer	SS 304
Gland Nut	SS 304
Stem Packing	PTFE
Thrust Washer	PTFE
Joint Gasket	PTFE
Bolt	SS 304

Size	D	L
1/4"	0.25	
3/8"	0.38	2.6
1/2"	0.50	3.0
3/4"	0.75	3.3
1"	1.00	3.5
1 1/4"	1.25	4.4
1 1/2"	1.50	4.7
2"	2.00	5.7

Dimensions in (in)

Normal handle extension is 3", others available by special order.

DTC reserves the right to modify specifications and/or design parameters without notice.
Updated drawings will be provided with quotation requests if required.