



# DISCOVER VALVE

A DIVISION OF DISCOVER TRADING COMPANY INC.

10746 NORTH ARMSTRONG AVENUE, CLOVIS, CALIFORNIA 93619 – PHONE TOLL-FREE 866-9VALVE6

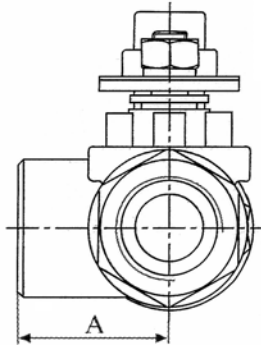
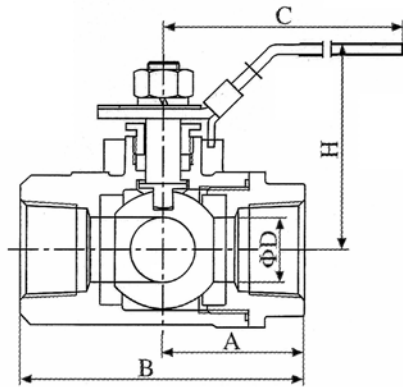
FAX: 559-324-0266 EMAIL: info@discovervalve.com, HTTP://www.discovervalve.com

## STAINLESS STEEL BALL VALVES

### “3-WAY”

### “T” TYPE AND “L” TYPE

WORKING PRESSURE: 1000PSI - TEMPERATURE RANGE: -60°F TO 675°F  
AVAILABLE WITH OR WITHOUT OPTIONAL LOCK



| Part Name     | Material      |
|---------------|---------------|
| Body          | AISI 316/CF8M |
| Ball          | AISI 316/CF8M |
| Ball Seat     | PTFE          |
| Joint Gasket  | PTFE          |
| Body Cap      | AISI 316/CF8M |
| Stem          | AISI 316/CF8M |
| Thrust Washer | PTFE          |
| Stem Packing  | PTFE          |
| Gland Nut     | AISI 304      |
| Handle        | AISI 304      |
| Stem Washer   | AISI 304      |
| Nut           | AISI 304      |
| Handle Cover  | Plastic       |

| Size   | D    | A   | B   | C   | H   | Wt   |
|--------|------|-----|-----|-----|-----|------|
| 1/4"   | 0.20 | 1.2 | 2.4 | 3.7 | 2.3 | 0.8  |
| 3/8"   | 0.30 | 1.2 | 2.4 | 3.7 | 2.3 | 0.8  |
| 1/2"   | 0.45 | 1.2 | 2.4 | 3.7 | 2.3 | 0.9  |
| 3/4"   | 0.60 | 1.5 | 2.9 | 4.9 | 2.5 | 1.4  |
| 1"     | 0.80 | 1.7 | 3.4 | 4.9 | 2.7 | 2.3  |
| 1 1/4" | 1.00 | 2.0 | 4.1 | 5.7 | 73  | 3.8  |
| 1 1/2" | 1.25 | 2.2 | 4.5 | 5.7 | 3.5 | 8.0  |
| 2"     | 1.50 | 2.8 | 5.6 | 8.1 | 4.0 | 14.0 |

Dimensions in (in), weights in (lbs)

DTC reserves the right to modify specifications and/or design parameters without notice.  
Updated drawings will be provided with quotation requests if required.