



DISCOVER VALVE

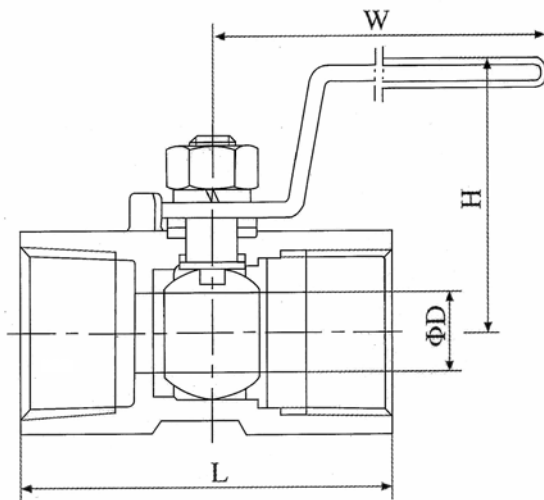
A DIVISION OF DISCOVER TRADING COMPANY INC.

10746 NORTH ARMSTRONG AVENUE, CLOVIS, CALIFORNIA 93619 – PHONE TOLL-FREE 866-9VALVE6

FAX: 559-324-0266 EMAIL: info@discovervalve.com, HTTP://www.discovervalve.com

STAINLESS STEEL BALL VALVES 1-PIECE REDUCED PORT

WORKING PRESSURE: 1000PSI-2000PSI - TEMPERATURE RANGE: -60°F TO 675°F
AVAILABLE WITH OR WITHOUT OPTIONAL LOCK



Part Name	Material
Seat	PTFE
Ball	AISI 316/CF8M
Joint Gasket	PTFE
Body Cap	AISI 316/CF8M
Body	AISI 316/CF8M
Stem	AISI 316/CF8M
Thrust Washer	PTFE
Stem Packing	PTFE
Gland Nut	AISI 304
Stem Washer	AISI 304
Nut	AISI 304
Handle Cover	Plastic
Handle	AISI 304

Size	D	L	H	W	Weight
1/4"	0.2	1.5	0.9	3.1	0.2
3/8"	0.3	1.7	1.0	3.1	0.3
1/2"	0.4	2.2	1.2	3.5	0.4
3/4"	0.5	2.3	1.3	3.5	0.5
1"	0.6	2.8	1.5	4.1	0.9
1 1/4"	0.8	3.1	1.7	4.1	1.5
1 1/2"	1.0	3.3	2.0	4.9	1.8
2"	1.3	4.0	2.2	4.9	2.9

Dimensions in (in), weights in (lbs)

DTC reserves the right to modify specifications and/or design parameters without notice.
Updated drawings will be provided with quotation requests if required.