



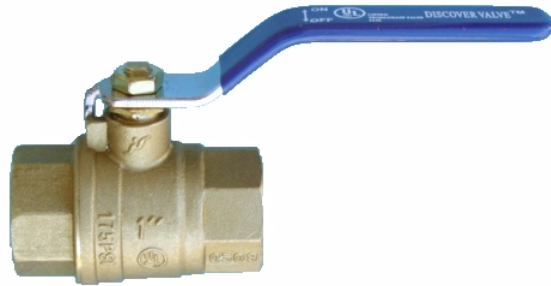
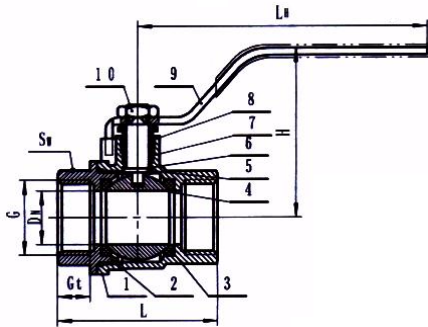
# DISCOVER VALVE

A DIVISION OF DISCOVER TRADING COMPANY INC.  
 10746 NORTH ARMSTRONG AVENUE, CLOVIS, CALIFORNIA 93619 – PHONE TOLL-FREE 866-9VALVE6  
 FAX: 559-324-0266 EMAIL: info@discovervalve.com, HTTP://www.discovervalve.com

## BRASS BALL VALVES FULL PORT 600WOG FNPT & CXC “TRIM AND DRAIN”



**FIRE PROTECTION RATED 175PSI**  
**Approved for “TRIM AND DRAIN” use under UL Subject 258**  
**Conforms to MSS SP-110**



No	Part Name	Material
1	Body	C37700
2	Bonnet	C37700
3	Seal	Teflon
4	Ball	C37700 - Chrome Plated
5	Stem	Brass
6	Stem Packing	Teflon
7	Gland Screw	Brass
8	Nut	Brass
9	Handle	Steel

G (FNPT)	Dn	L	H	Sw	Gt	Lh	Wt
1/4-18 *	0.25	1.7	1.8	0.8	0.4	3.5	0.4
3/8-18 *	0.38	1.7	1.8	0.8	0.4	3.5	0.4
1/2-14	0.50	2.0	2.0	1.0	0.4	3.5	0.5
3/4-14	0.75	2.2	2.4	1.2	0.5	4.1	0.8
1-11.5	1.00	2.7	2.5	1.5	0.5	4.6	1.2
1 1/4-11.5	1.25	3.2	2.8	1.9	0.6	4.6	1.7
1 1/2-11.5	1.50	3.6	3.7	2.1	0.7	5.7	2.6
2-11.5	2.00	4.1	4.0	2.6	0.7	5.7	3.6
2 1/2-8 *	2.50	5.4	4.5	3.3	0.9	9.1	7.7
3-8 *	3.00	6.3	5.0	3.9	1.1	9.1	12.0
4-8 *	4.00	7.3	5.6	4.9	1.1	9.1	18.0

\*1/4", 3/8", 2-1/2", 3", 4" Not UL Listed, CxC not CSA listed

Dimensions in (in), weights in (lbs)

CxC	G	Dn	L	H	Sw	Gt	Lh	Wt
1/2	0.63	0.50	2.3	2.0	0.9	0.6	3.5	0.5
3/4	0.88	0.75	2.8	2.4	1.2	0.8	4.1	0.8
1	1.13	1.00	3.5	2.5	1.4	1.0	4.6	1.2
1 1/4	1.38	1.25	4.2	2.8	1.8	1.2	4.6	
1 1/2	1.63	1.50	4.6	3.7	2.0	1.2	5.7	2.8
2	2.13	2.00	5.4	4.0	2.5	1.4	5.7	3.9

DTC reserves the right to modify specifications and/or design parameters without notice.  
 Updated drawings will be provided with quotation requests if required.